

TE**A

55"/65"/75"/86"/98"

IR Interactive Flat Panel



Key Features

- UHD Resolution with 350nits
- Android 13.0 with 1.9 GHz Frequency
- 4K UI for All the System Page
- 4K@50fps Screen Recording
- OCR functions for Smart Handwriting Recognition
- Screen Splitting Available

Specification

Display					
Model	TE55A	TE65A	TE75A	TE86A	TE98A
Screen Size (Diagonal)	55inch	65 inch	75 inch	86 inch	98inch
Display Size (W*H/mm)	1210 × 680	1429 × 803.5	1650 × 928	1895 × 1066	2158 × 1214
Native Resolution	3840(H) × 2160(V)				
Aspect Ratio	16 : 9				
Brightness	350 cd/m ²				
Contrast	1200 : 1				
View Angle	178°(H) / 178°(V)				
Display Color	1.07B (10bit)				
Response Time	8ms				
Life Time	50,000 hrs				

Internal Player	
O/S	Android 13.0
CPU	ARM Quad Core (A55*4), 1.9GHz
GPU	ARM Multi Core Mali-G52MP2
RAM/ROM	4G DDR4 / 32G EMMC
Input	HDMI*1, AV IN*2,USB 3.0*1, USB 2.0*1, RJ45(10/100M)*1, RS232*1
Output	LINE OUT*1, AV OUT*1, TOUCH OUT*1, SPDIF*1
Front Connection	USB3.0*1, USB 2.0*1
Bluetooth	Bluetooth 5.0
Wi-Fi	Wi-Fi 802.11ac (5G) ; Hotspot 5Ghz
Built-In Speaker	2x10W

Specification

IR Touch	
Touch Points	20
Response Time	<15ms
Touch Accuracy	1mm(90% Area)
Tempered Glass	4mm with AG Coating
Input Mode	Finger / Opaque objects
Frame Rate	≥200Hz
Transmission Connector	USB 2.0
Operating System	Windows/Linux/Mac/Android

Power					
Power supply	AC100-240V~ 50/60Hz				
Power consumption	≤ 120W	≤ 200W	≤ 300W	≤ 400W	<450W
Stand By	< 0.5W				

Physical					
Model	TE55A	TE65A	TE75A	TE86A	TE98A
Dimension (W*H*D/mm)	1258 × 744 × 80	1485 × 888 × 88	1707 × 1013 × 88	1953 × 1152 × 88	2217 × 1304 × 110
Net Weight	22±1kg	39±1kg	51±1kg	66±1kg	90±1kg
Wall Mount Size	400 × 400mm	500 × 400mm	600 × 400mm	800 × 400mm	1000 × 400mm
Package Dimension (W*H*D/mm)	1360 × 165 × 885	1595 × 1305 × 205	1872 × 1163 × 250	2115 × 1290 × 265	2370 × 1485 × 285
Gross Weight	28±1kg	48±1kg	64±1kg	80±1kg	112±1kg
Accessories	Controller*1, Power cable *1, User Manual*1, Pen *2				

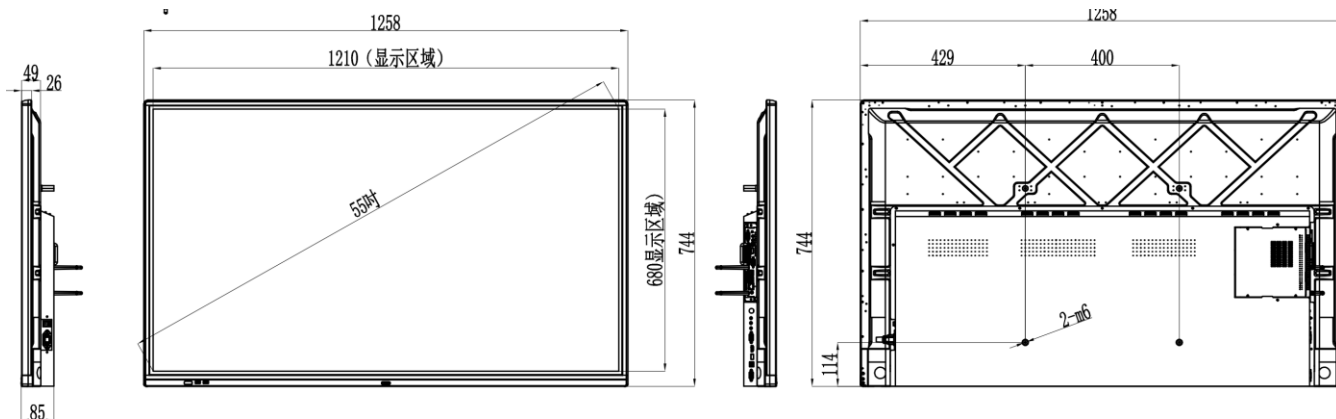
Environment Condition	
Operation Temperature	0°C- 45°C
Operation Humidity	20% - 80%RH
Storage Temperature	-10°C ~ 55°C
Storage Humidity	20% - 90%RH

Specification

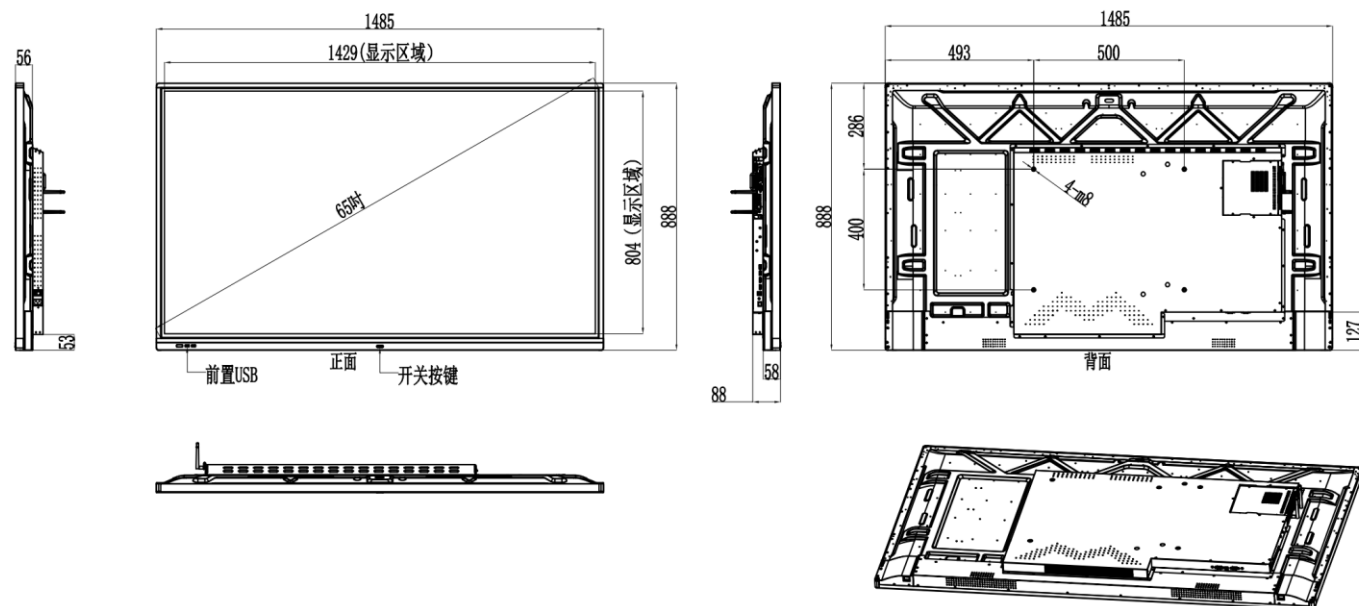
Dimension Drawing

Unit: mm

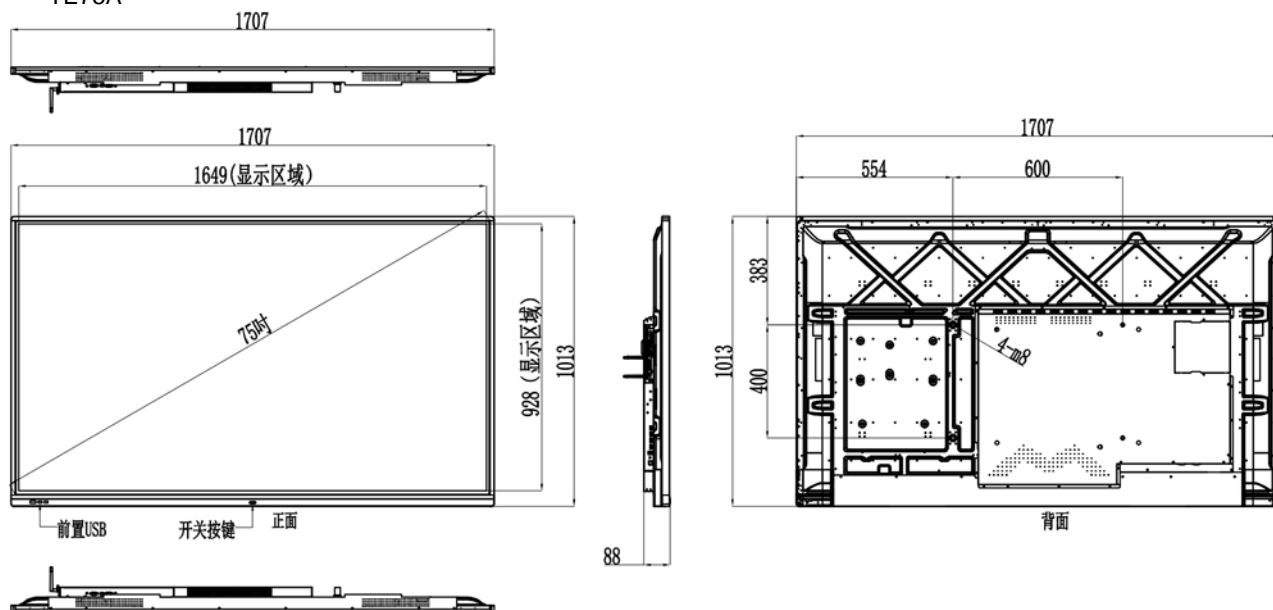
TE55A



TE65A



TE75A

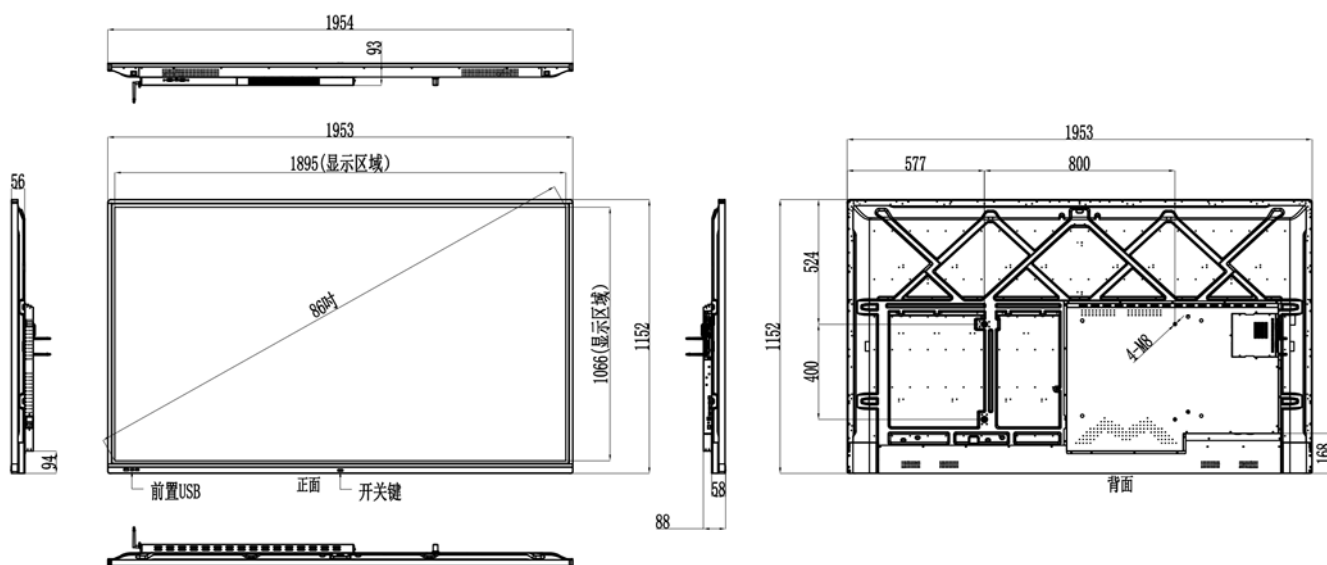


Specification

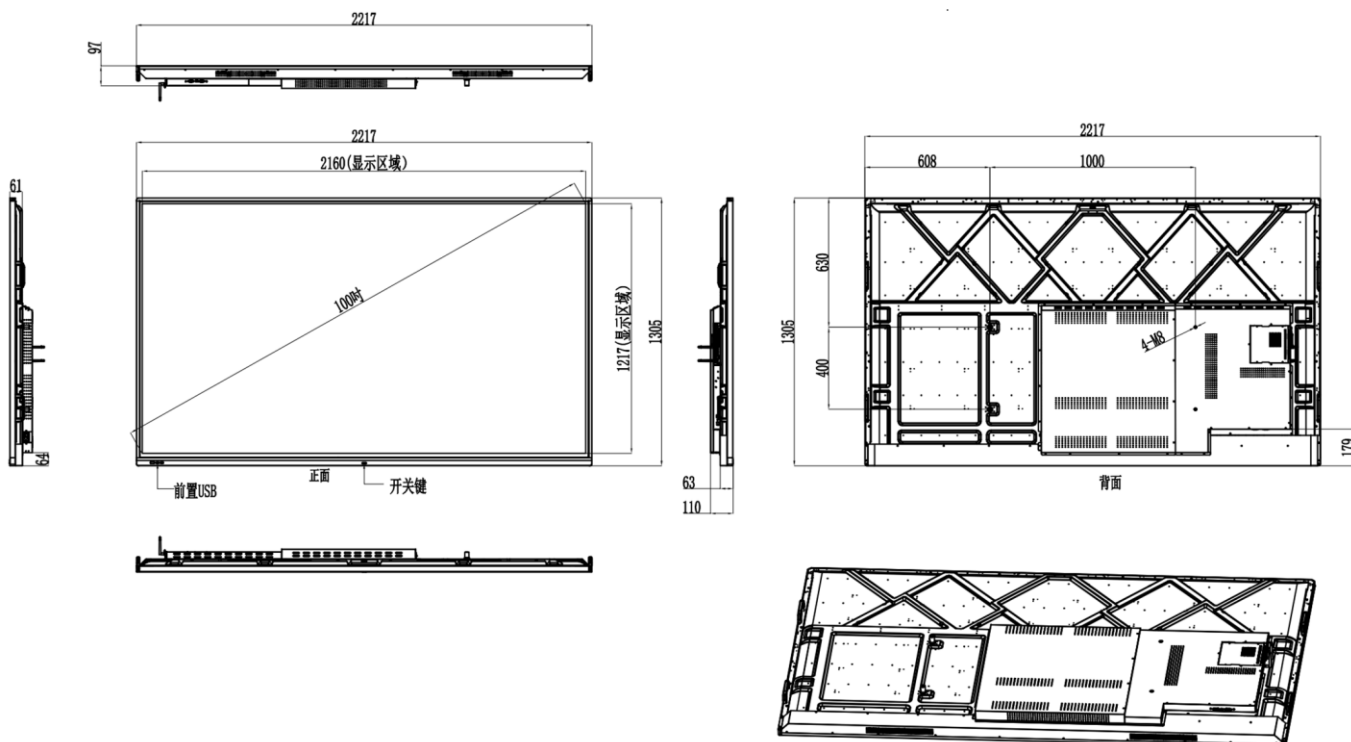
Dimension Drawing

Unit: mm

TE86A



TE98A



Accessories Lists

No.	Parts	Qty	Specification
1	Power cord	1	1.8m
2	Bluetooth antenna	1	-
3	Wi-Fi antenna	1	-
4	Pen	2	-
5	User manual	1	-