

TP**A

65"/75"/86"/98"

UHD IR Interactive Flat Panel



Key Features

- UHD Resolution with 350nits
- Zero Bonding Technology
- Built-in Camera and Microphone
- Android 13.0
- Full function Type-C port available
- Both HDMI in and HDMI out Supports 2.1 Standard
- 4K UI for All the System Page
- 4K@50fps Screen Recording
- OCR functions for Smart Handwriting Recognition
- Screen Splitting Available

Specification

Display				
Model	TP65A	TP75A	TP86A	TP98A
Screen Size (Diagonal)	65 inch	75 inch	86 inch	98 inch
Display Size (W*H/mm)	1428.48 × 803.52	1649.74 × 927.94	1895.04 x 1065.96	2160.86 x 1216.35
Native Resolution	3840(H) × 2160(V)			
Aspect Ratio	16 : 9			
Brightness	350 cd/m ²			
Contrast	1200 : 1			
View Angle	178°(H) / 178°(V)			
Display Color	1.07B (10bit)			
Response Time	8ms			
Life Time	50,000 hrs			

Internal Player	
O/S	Android 13.0
CPU	4*A76(Max:2.4GHz)+Quad-4*A55 (Max:1.8GHz)
GPU	ARM Mali-G610 MC4 (Max:1.0GHz)
NPU	Up to 6TOPs(Max:1.0GHz)
RAM/ROM	8G DDR4 / 128G EMMC (Up to 16/256G)
Input	HDMI*3, DP*1, Type-C*1(15W), USB3.0*3(2 Public), MIC IN*1 USB 2.0*1, USB Touch*1, Micro-SD*1, RJ45*2, RS232*1
Output	HDMI OUT*1, Type C*1, SPDIF out Earphone*1
Front Connection	HMDI IN*1, USB 3.0 *3, TOUCH USB*1, TYPE C*1(PD65w)
Wi-Fi	Wi-Fi 6, Wi-Fi 802.11/a/b/g /n/ac (2.4G+5G) ; Hotspot 5Ghz
Built-In Speaker	2x20W
Built-In Camera / Microphone	4K / 8-Array (Optional)

Specification

IR Touch

Touch Points	40 for windows, 20 for Android
Response Time	<3.3ms
Touch Accuracy	0.5mm(90% Area)
Tempered Glass	4mm with AG Coating
Input Mode	Finger / Opaque objects
Frame Rate	≥300Hz
Transmission Connector	USB 2.0
Operating System	Windows/Linux/Mac/Android

Power

Power supply	AC100-240V~ 50/60Hz			
Power consumption	≤ 250W	≤ 350W	≤ 450W	≤ 750W
Stand By	< 0.5W			

Physical

Model	TP65A	TP75A	TP86A	TP98A
Dimension (W*H*D/mm)	1485.2 × 916.61 × 87.9	1707.52 × 1041.93 × 88.1	1953.2 × 1180.02 × 88.1	2222.40 × 1332.22 × 106.06
Net Weight	42±1kg	54±1kg	69±1kg	106±1kg
Wall Mount Size	500 × 400mm	600 × 400mm	800 × 400mm	1000 × 400mm
Package Dimension (W*H*D/mm)	1576 × 980 × 200	1785 × 1125 × 200	2040 × 1260 × 200	2306 × 1520 × 200
Gross Weight	56.5±1kg	69±1kg	83.8±1kg	121±1kg

Accessories Controller*1, Power cable *1, User Manual*1, Pen *(1 for 65inch)

Environment Condition

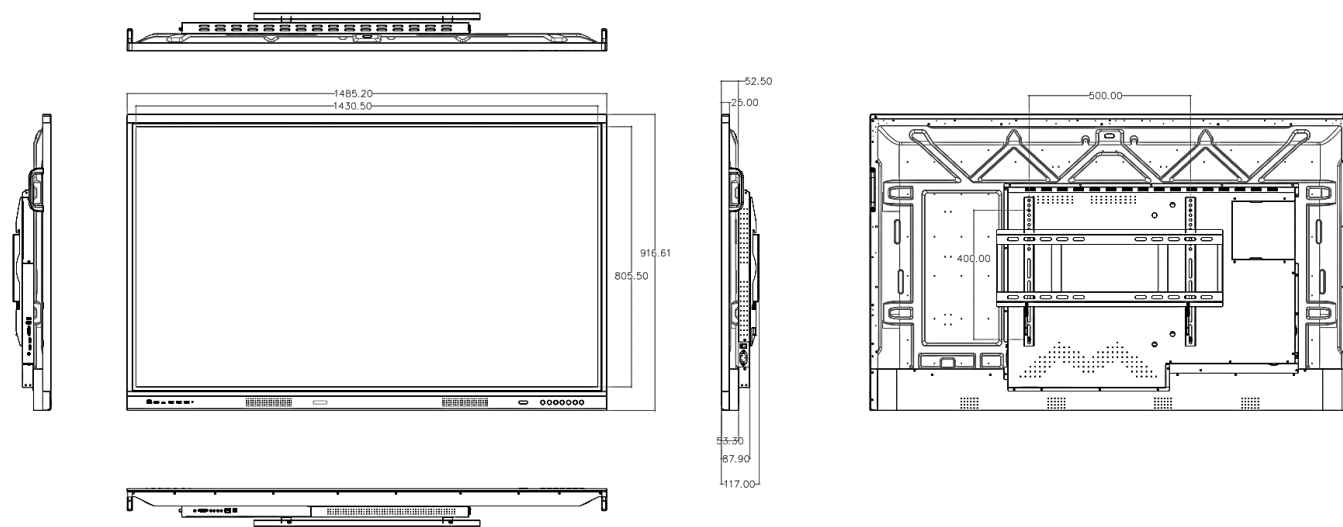
Operation Temperature	0°C- 45°C
Operation Humidity	20% - 80%RH
Storage Temperature	-10°C ~ 55°C
Storage Humidity	20% - 90%RH

Specification

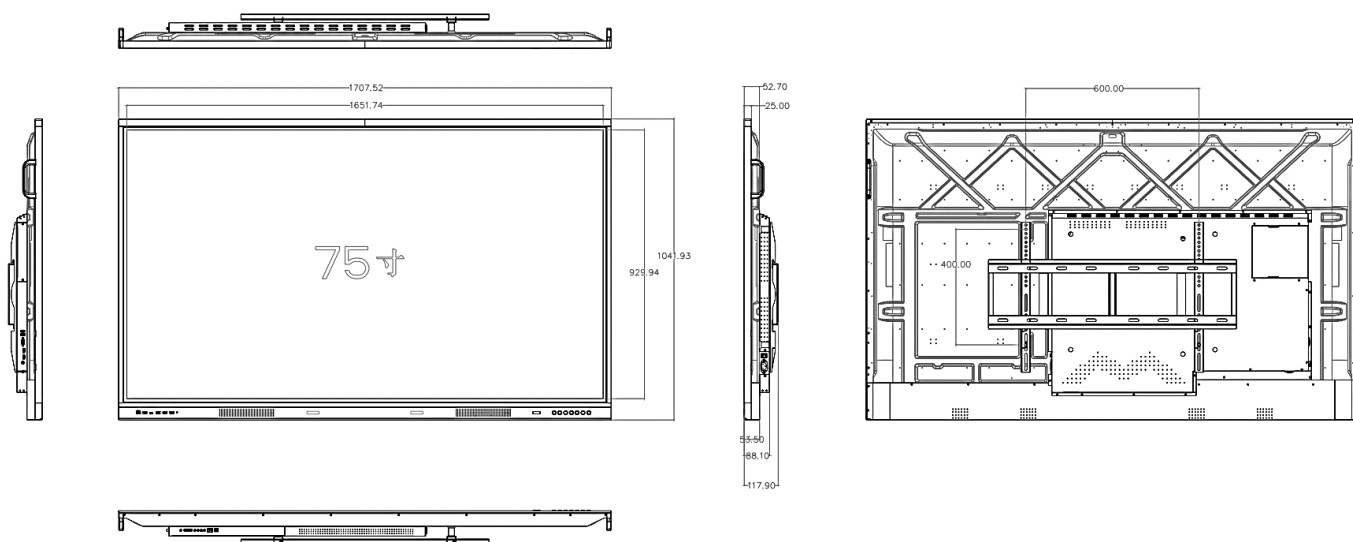
Dimension Drawing

Unit: mm

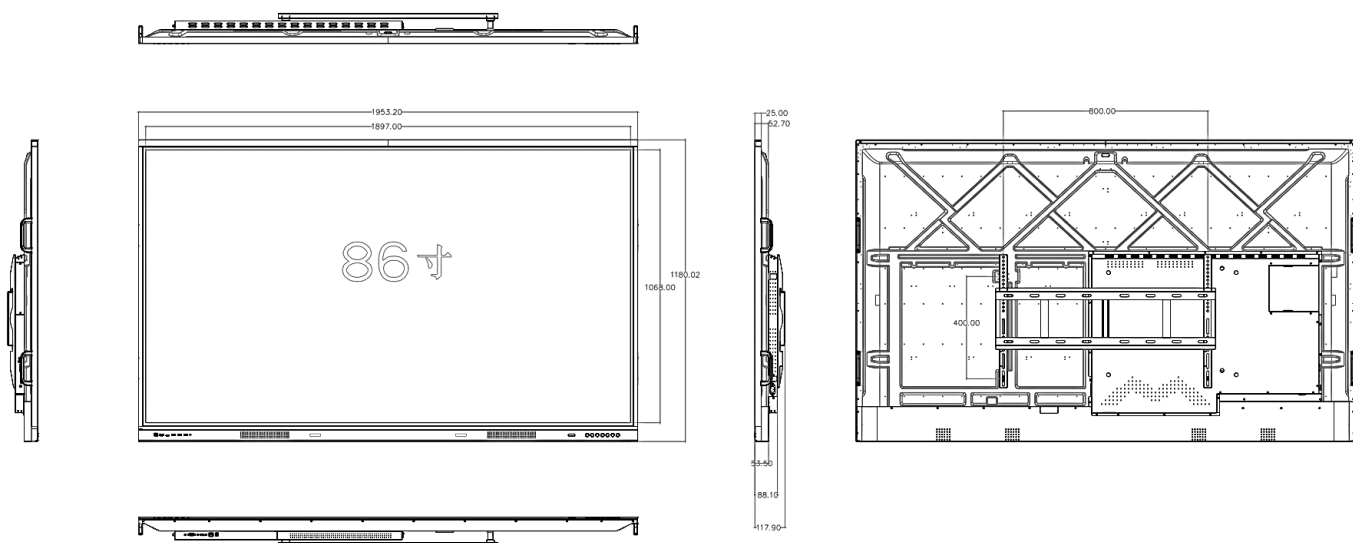
TP65A



TP75A



TP86M

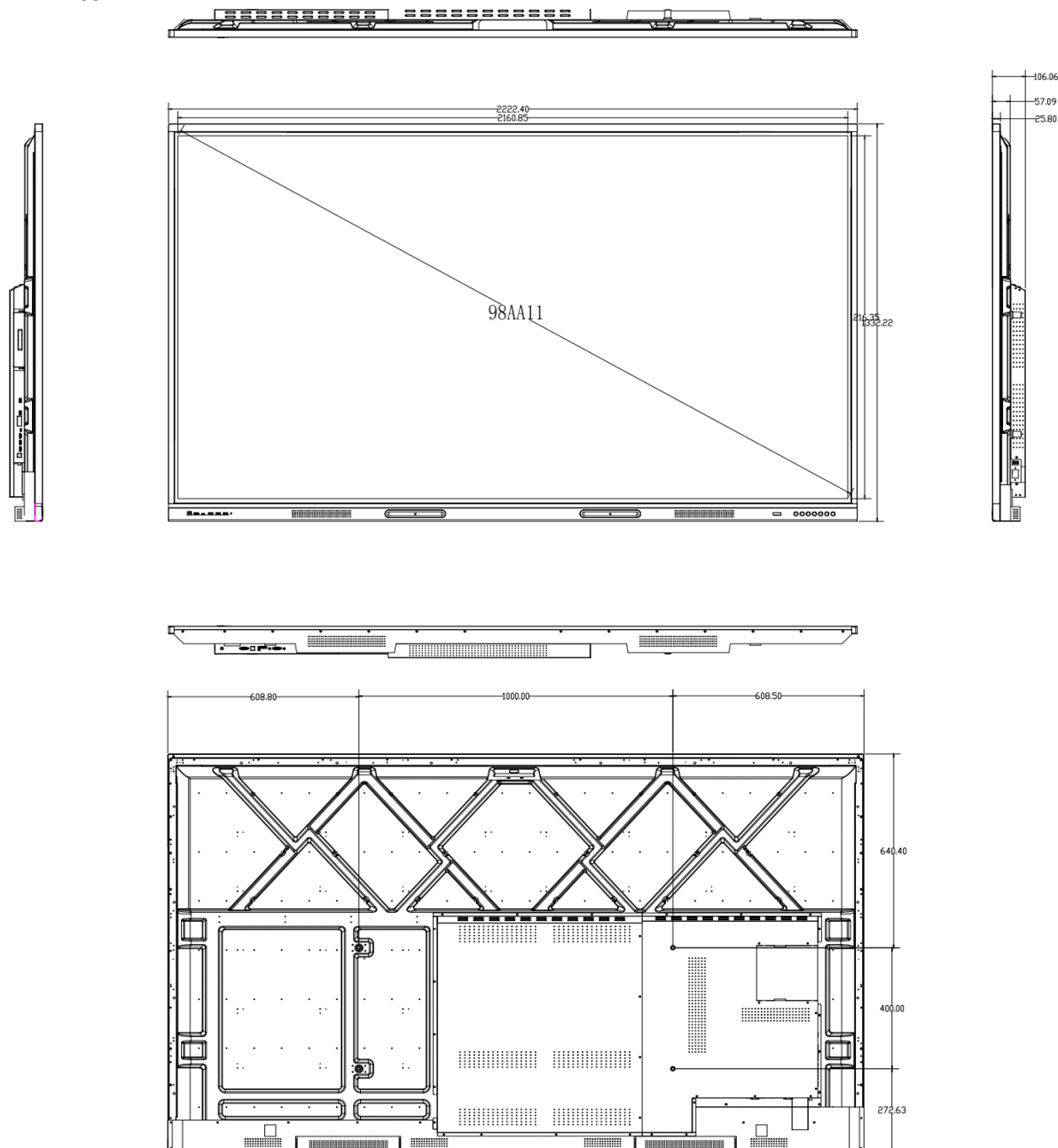


Specification

Dimension Drawing

Unit: mm

TP98A



Accessories Lists

No.	Parts	Qty	Specification
1	Power cord	1	1.8m
2	Bluetooth antenna	1	-
3	Wi-Fi antenna	1	-
4	Pen	2	-
5	User manual	1	-