

SLAP-PBMA03****32"/43"/50"/55"****500nit Android SoC Digital Signage**

Key Feature

- FHD Resolution
- 500nits
- 7 × 24 Operation
- Android 9.0
- Cortex-A53
- 32GB ROM
- Built-In Speaker
- Slim and light Design
- Landscape & Portrait Installation support
- VESA Mounting Interface

Specification

Model	SL32AP-PBMA03	SL43AP-PBMA03	SL50AP-PBMA03	SL55AP-PBMA03
Display				
Screen Size (Diagonal)	32 inch	43 inch	50 inch	55 inch
Native Resolution	1920 (H) × 1080 (V)			
Aspect Ratio	16 : 9			
Brightness	500 cd/m ²			
Contrast	≥ 3000:1	≥ 1200:1	≥ 5000:1	≥ 1200:1
View Angle	178°(H) / 178°(V)			
Display Color	16.7M			
Response Time	9.5ms	8ms	8ms	8ms
Operation Time	7 × 24H			
Life Time (Light Source)	50,000 Hrs (Typ.)			

Interface

Input	HDMI 1.4 x 1			
Output	Earphone x 1			
External Control	-			
Networks	LAN x 1 / WiFi			
Others	USB 2.0 x2			
Built-In Speaker	8W x 2 (8Ω)			

Internal Player

O/S	Android 9.0			
CPU	Cortex-A53@1.2GHz			
GPU	Mali-450 MP2			
RAM/ROM	2GB / 32GB			

Power

Power supply	AC 100~240V 50/60Hz			
Power consumption	≤ 50W	≤70W	≤ 138W	≤ 168W

Environment

Operation Temperature	0°C~40°C			
Operation Humidity	20%~80% RH			
Storage Temperature	-20°C~60°C			
Storage Humidity	10%~80% RH			

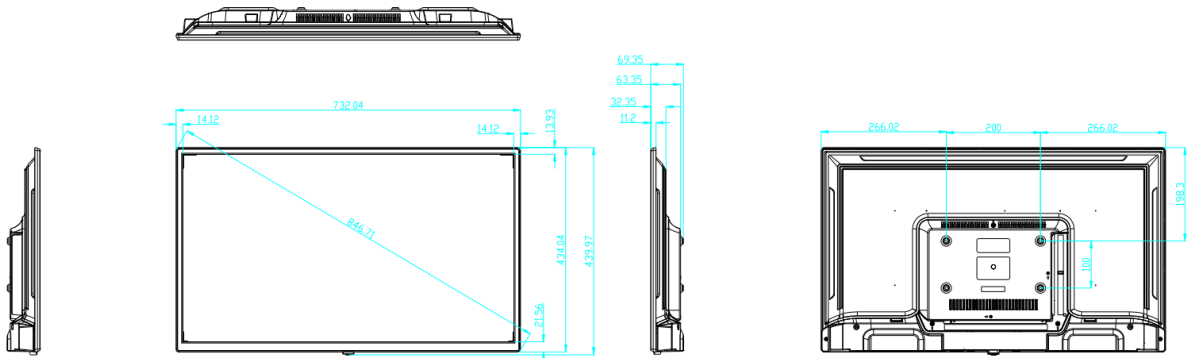
Specification

Model	SL32AP-PBMA03	SL43AP-PBMA03	SL50AP-PBMA03	SL55AP-PBMA03
Physical				
Color	Black			
On bezel (mm)	15(L/R)/15(T) 22 (B)	15(L/R/T) 20(B)	10(L/R/T) 18(B)	8(L/R/T) 18(B)
Tempered Glass	-			
Body Dimension w/o Stand (W×H×D, mm)	732x434x70	973x566x70	1131x659x79	1244x723x81
Set Weight w/o Stand	3.5 Kg	6.5 Kg	10.5 Kg	12.5 Kg
Package Dimension (W×H×D, mm)	797x492x112	1025x610x128	1184x709x141	1320x796x158
Package Weight	6.5 Kg	8.5 Kg	15.5 Kg	17.5 Kg
VESA Mounting	200 × 100	200 × 200	200 × 200	200 × 200

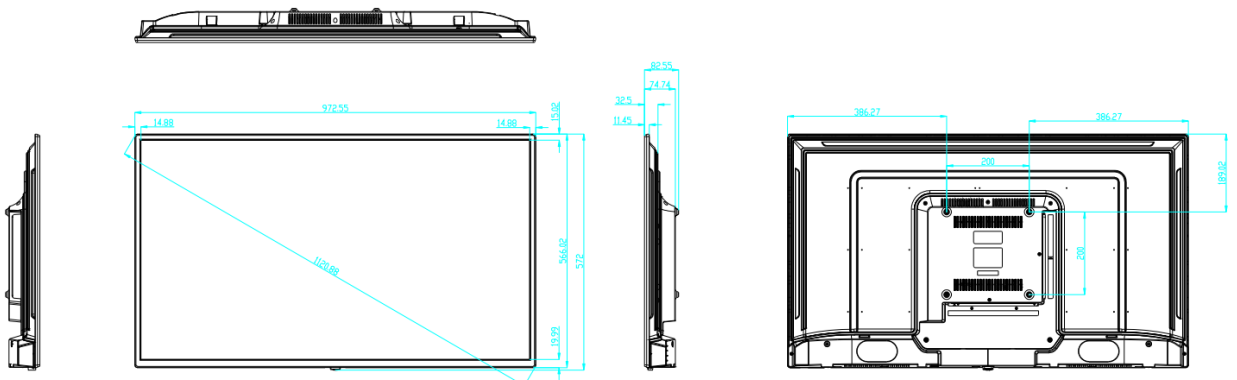
Dimension Drawing

SL32AP-PBMA03

Unit: mm



SL43AP-PBMA03

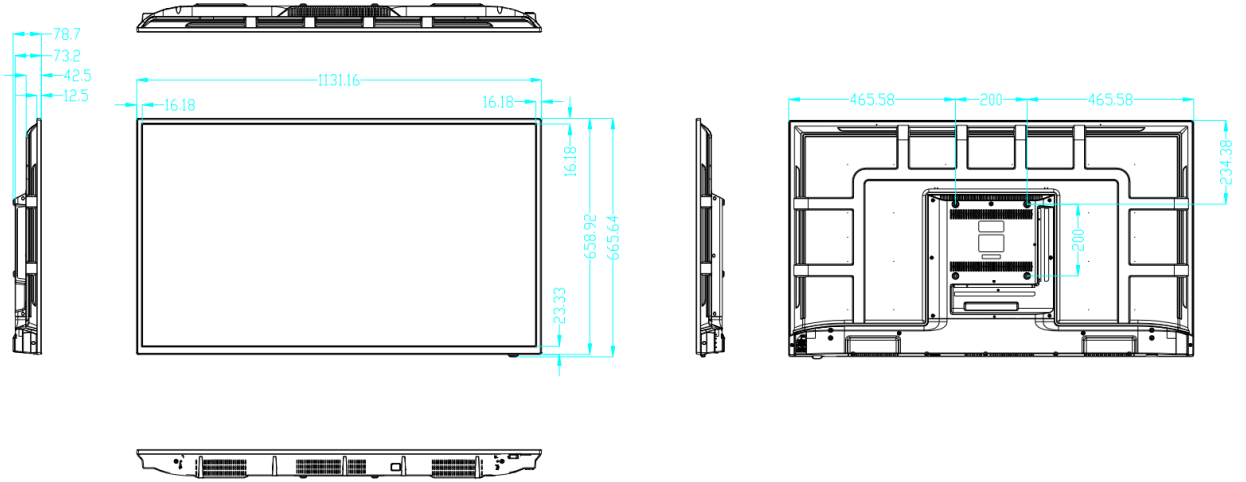


Specification

Dimension Drawing

SL50AP-PBMA03

Unit: mm



SL55AP-PBMA03

