

DM**M

32"/43"/49"/55"/65"/75"

500nits Digital Signage - Monitor



Key Feature

- UHD Resolution
- Super Slim Even Bezel
- Metal Frame Design
- 500 nits High Brightness
- 50,000 hrs 7×24 Operation
- DP Input
- Type C
- HDMI Input×2
- Landscape & Portrait Installation
- VESA Mounting

Specification

Model	DM32M	DM43M	DM49M	DM55M	DM65M	DM75M
Display						
Screen Size	32 inch	43 inch	49 inch	55 inch	65 inch	75 inch
Native Resolution	1920 × 1080	3840 × 2160				
Aspect Ratio	16 : 9					
Brightness	500 nit (Typ.)					
Contrast	≥ 1200:1					
View Angle	178°(H) / 178°(V)					
Display Color	16.7M					
Response Time	8ms					
Operation Time	24/7					
Life Time (Light Source)	50,000 hrs (Typ.)					

Interface

HDMI IN	× 1					
DP IN	× 1					
Type C	× 1					
RS232 & IR	× 1					
Others	Headphone × 1					
Built-In Speaker	5W × 2 (8Ω)					

Power

POWER SUPPLY	AC 100V ~ 240V@50/60HZ					
POWER CONSUMPTION	50W	80W	110W	130W	210W	300W
POWER CONSUMPTION (Standby)	0.5W	0.5W	0.5W	0.5W	0.5W	0.5W

Environment

Operation Temperature	0°C~50°C					
Operation Humidity	10%-85%					
Storage Temperature	-20°C~60°C					
Storage Humidity	5%-95%					

Physical

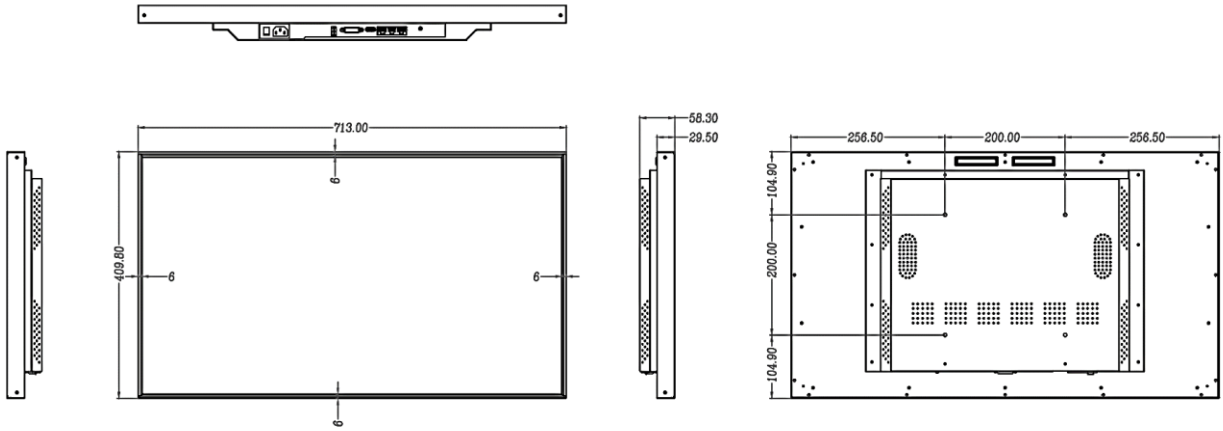
Color/Material	Black/Aluminum					
Bezel Width	6mm (L/R/T/B)				8mm (L/R/T/B)	
Set Outline Dimension (W×H×D)	713×409.8 × 58.3mm	958×547.4 × 58.3mm	1090×620.3 × 58.3mm	1226×699.2 × 58.3mm	1450×825 × 82mm	1672×951 × 71.2mm
Package Dimension (W×H×D)	842×553 × 160mm	1080×667 × 157mm	1216×762 × 160mm	1345×820 × 160mm	1570×945 × 160mm	1840×1110 × 195mm
Set Weight	7kg	12kg	16kg	18kg	24kg	31kg
Packed Weight (1 Sets inside)	10kg	20kg	26kg	30kg	37kg	48kg
VESA Mounting Interface	200×200	400×400	400×400	400×400	400×600	400×600

Specification

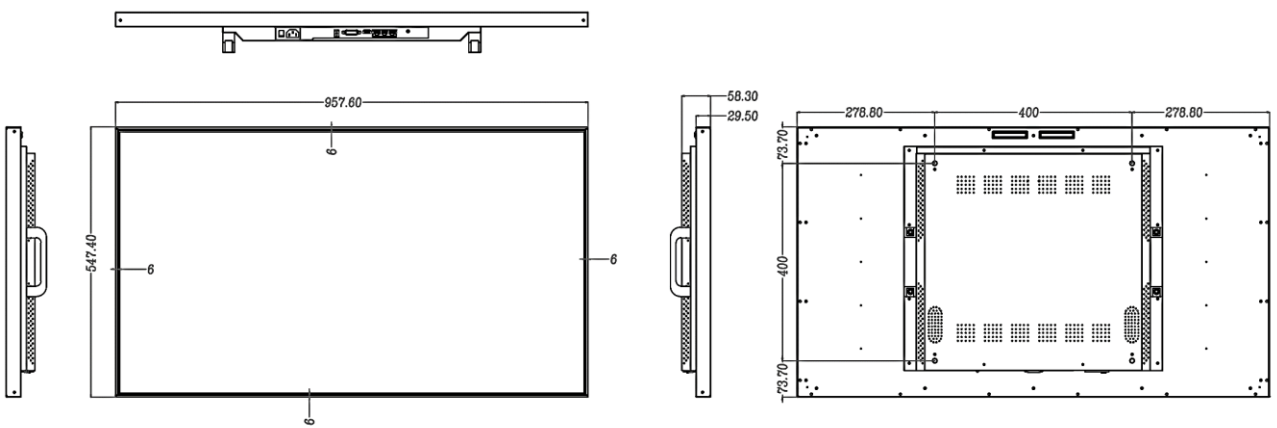
Dimension Drawing

DM32M

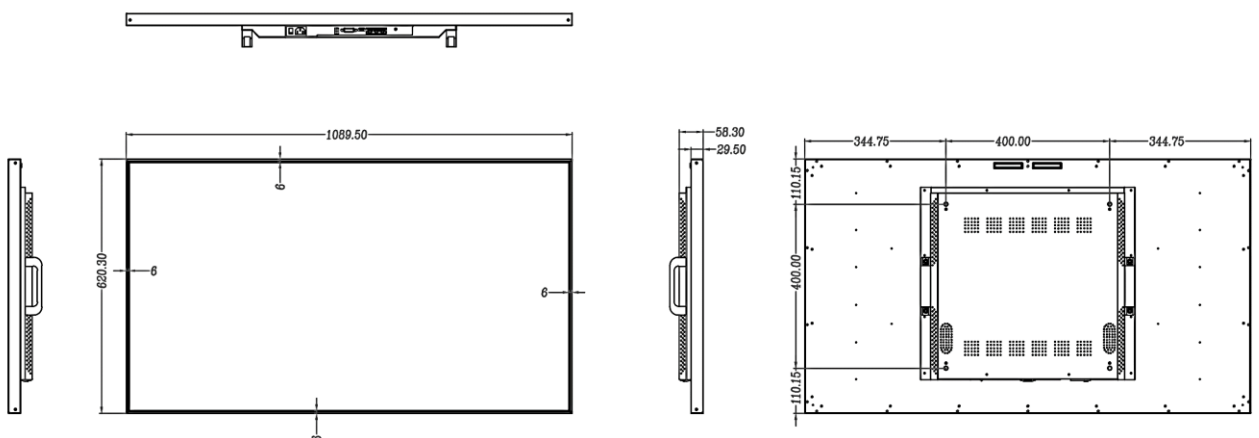
Unit: mm



DM43M



DM49M

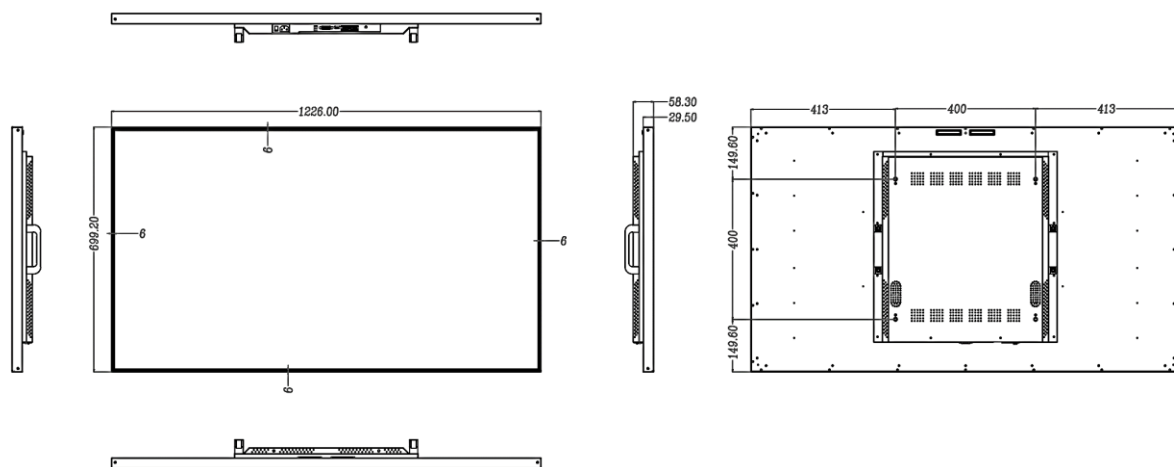


Specification

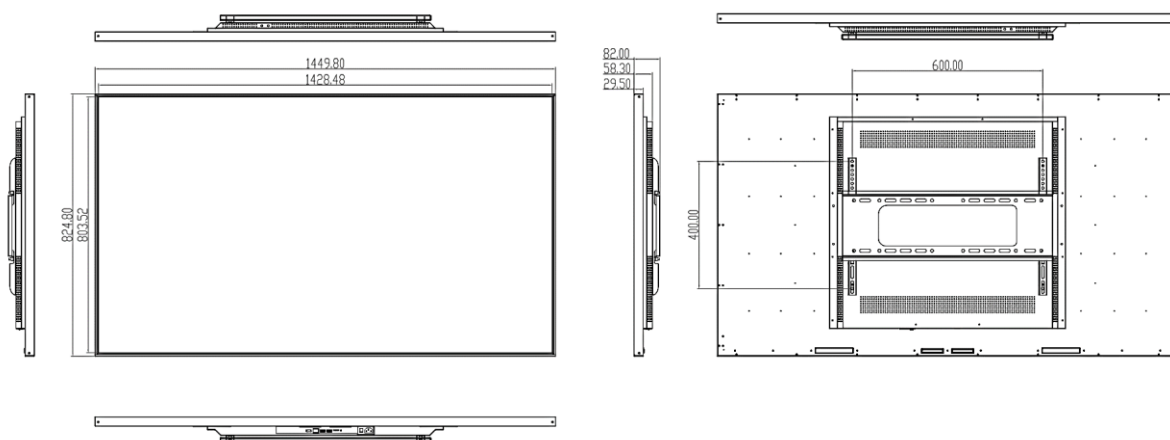
Dimension Drawing

Unit: mm

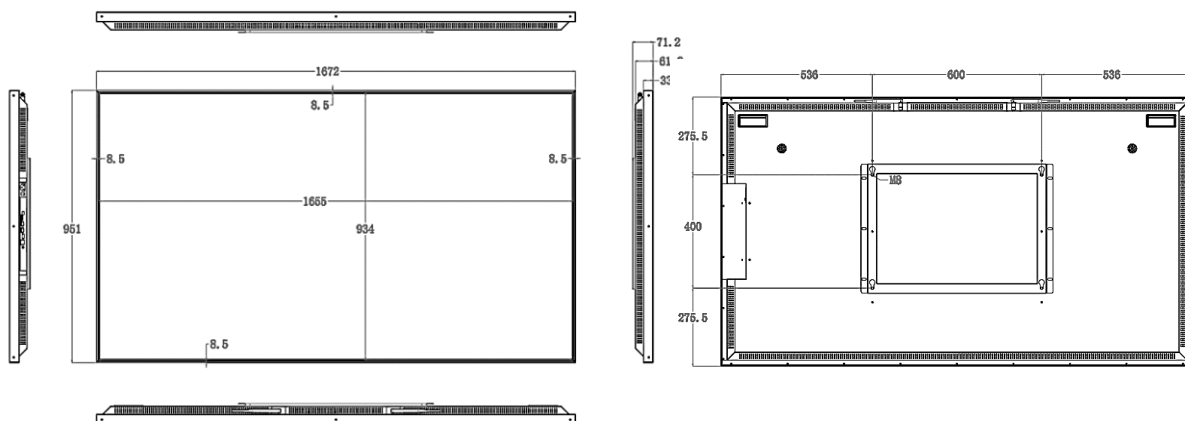
DM55M



DM65M



DM75M



Specification

Accessories Lists

No.	Parts	Qty	Specification
1	Power cord	1	1.5m
2	Remote controller	1	-
3	IR Receiver	1	
4	User manual	1	-