

Confidential

BOE

|| BOE IFPD ODM/OEM Business Introduction

BOE CSPO IFPD Team

March, 2022

CONTENTS

Content




01	Roadmap Overview
02	Product Introduction


01

Roadmap Overview

Type	Product Lineup				
	55"	65"	75"	86"	98"
Premium		S1.0 Hisi811 - OS8.0/4+32G MT9630 - OS11.0/2+16G	S1.0 Hisi811 - OS8.0/4+32G MT9630 - OS11.0/2+16G	S1.0 Hisi811 - OS8.0/4+32G MT9630 - OS11.0/2+16G	S1.0 Hisi811 - OS8.0/4+32G MT9630 - OS11.0/2+16G
Professional	S2.0 Hisi811 - OS8.0/4+32G MT9630 - OS11.0/2+16G HSV560 - OS9.0/3+32G	S2.0 Hisi811 - OS8.0/4+32G MT9630 - OS11.0/2+16G HSV560 - OS9.0/3+32G	S2.0 Hisi811 - OS8.0/4+32G MT9630 - OS11.0/2+16G HSV560 - OS9.0/3+32G	S2.0 Hisi811 - OS8.0/4+32G MT9630 - OS11.0/2+16G HSV560 - OS9.0/3+32G	

MP Dev Plan MP Time

Serie	Product	Status
<p>S1.0</p>	 <p>S1.0</p> <ul style="list-style-type: none"> ✓ UHD 4K D-LED IFPD ✓ IR multi-touch, Zero gap ✓ 11.5mm ultra-slim bezel ✓ Dual system support ✓ Hisi811 / MT9630 	<div data-bbox="1498 411 1839 539"> <p>65" 4K Hisi811 P65GC-BAR</p> </div> <div data-bbox="2002 411 2344 539"> <p>65" 4K MT9630 P65BB-BAR</p> </div> <div data-bbox="1498 591 1839 719"> <p>75" 4K Hisi811 P75GC-BAR</p> </div> <div data-bbox="2002 591 2344 719"> <p>75" 4K MT9630 P75BB-BAR</p> </div> <div data-bbox="1498 771 1839 899"> <p>86" 4K Hisi811 P86GC-BAR</p> </div> <div data-bbox="2002 771 2344 899"> <p>86" 4K MT9630 P86BB-BAR</p> </div> <div data-bbox="1498 951 1839 1079"> <p>98" 4K Hisi811 P98GC-BAR</p> </div> <div data-bbox="2002 951 2344 1079"> <p>98" 4K MT9630 P98BB-BAR</p> </div>

Serie	Product	Status		
S2.0	 <p>S2.0</p> <ul style="list-style-type: none"> ✓ UHD 4K D-LED IFPD ✓ IR multi-touch ✓ 15mm slim bezel ✓ Dual system support ✓ Hisi811 / MT9630 / HSV560 	<p>55" 4K Hisi811 P55GC-BDR</p>	<p>55" 4K MT9630 P55BB-BDR</p>	<p>55" 4K HSV560 P55GF-BDR</p>
		<p>65" 4K Hisi811 P65GC-BDR</p>	<p>65" 4K MT9630 P65BB-BDR</p>	<p>65" 4K HSV560 P65GF-BDR</p>
		<p>75" 4K Hisi811 P75GC-BDR</p>	<p>75" 4K MT9630 P75BB-BDR</p>	<p>75" 4K HSV560 P75GF-BDR</p>
		<p>86" 4K Hisi811 P86GC-BDR</p>	<p>86" 4K MT9630 P86BB-BDR</p>	<p>86" 4K HSV560 P86GF-BDR</p>

02

Product Introduction

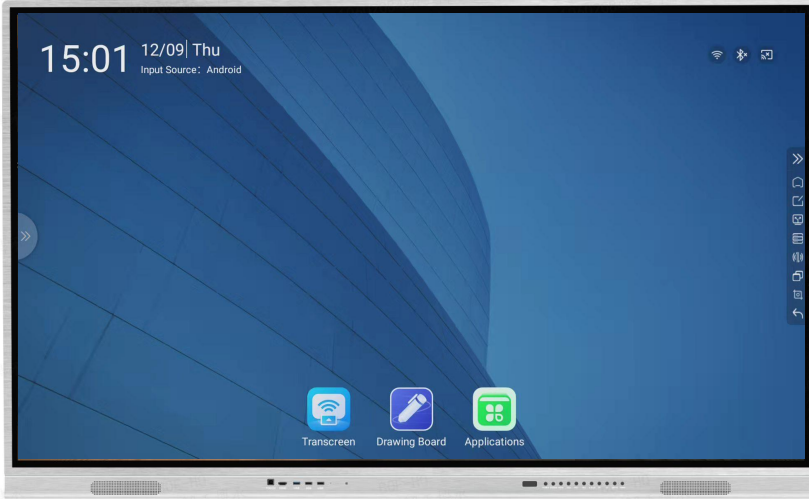


- ✓ **Zero Gap**
0 Lamination
- ✓ **Ultra-Slim Design**
11.5mm Bezel
- ✓ **Customization**
Type-C/Low Blue-ray

Model	65"	75"	86"	98"	
LCD Panel	Backlight Type				
	D-LED Backlight				
	Resolution	3840*2160	3840*2160	3840*2160	3840*2160
	Brightness	350 cd/m ²	350 cd/m ²	350 cd/m ²	350 cd/m ²
	Contrast	1200:1	1200:1	1200:1	1200:1
	Aspect Ratio	16:9			
	View Angle	178°			
	Color Depth	10bit, 1.07 Billion colors			
	Response Time	8ms	8ms	8ms	8ms
Support Resolution	4K Ultra HD 3840x2160@60Hz				
Android	OS				
	Android 8.0				
	CPU				
	2 x ARM Cortex-A73@1.5GHz, 2 x ARM Cortex-A53@1.5GHz				
GPU/Ram/Storage					
ARM Mali-G51450MHz; 4G + 32G					
WiFi/Screen Sharing					
2.4 and 5.0G; Support					
I/O Interface	Input				
	HDMI2.0*2, HDMI1.4*1, VGA*1, VGA Audio-In*1; YPBPR*1, AV*1 USB3.0*1, USB2.0*1, RJ45*1, SD Card Reader*1, Touch USB Port*2 OPS Slot*1, RS232*1 USB2.0*3, Display Port*1				
Output					
AV-Out*1, Headphones Out, SPDIF*1, HDMI Output					
Button	Front Button				
Audio	Speakers				
2*15w					
Power	Voltage				
	AC(100 ~ 240)V-50/60Hz				
	Power Range				
Standby Power<1W					
Rated Power	<230W	<350W	<415W	<550W	
Touch	Touch Technology				
	Infrared Touch				
	Touch Points				
	20 touch points				
	Writing Mode				
	Finger or any opaque object				
Accuracy					
<2mm					
Response Time					
5ms					
Cursor Speed					
180 dot/s					
Operating System					
Windows/Linux/Mac/Android					
Accessory	Accessories				
Magnetic Pen, HDMI Cable, Touch Cable, Power Cable, Remoter, Wall Mounting Bracket					
Mechanical	Dimension (mm)				
	1469.1x915.6x93.2	1695.6x1045.8x96.1	1942x1183.6x93.9	2215.6x1338.5x102.7	
	Net/Gross Weight (kg)				
35/49	54/66	70/84	94/115		
Packing (mm)					
1646x1074x240	1873x1204x240	2120x1353x240	2396x1500x300		



Model	65"	75"	86"	98"	
LCD Panel	Backlight Type				
	D-LED Backlight				
	Resolution	3840*2160	3840*2160	3840*2160	3840*2160
	Brightness	350 cd/m ²	350 cd/m ²	350 cd/m ²	350 cd/m ²
	Contrast	1200:1	1200:1	1200:1	1200:1
	Aspect Ratio	16:9			
	View Angle	178°			
	Color Depth	10bit, 1.07 Billion colors			
	Response Time	8ms	8ms	8ms	8ms
Support Resolution	4K Ultra HD 3840x2160@60Hz				
Android	OS				
	Android 11.0				
	CPU				
	4 x ARM Cortex-A53@1.55GHz				
GPU/Ram/Storage					
ARM Mali-G52; 2G DDR3+ 16G EMMC					
WiFi/Screen Sharing					
2.4 and 5.0G; Support					
I/O Interface	Input				
	Rear: HDMI2.0*2, VGA x1, VGA Audio-In x1, YPBPR*1, AV IN*1, MIC*1, USB 2.0*2, TOUCH-USB*1, RS232*1, TF Card*1, LAN IN*1(10M/100M), Bluetooth5.0*1, OPS Slot*1 Front: HDMI*1(up to 1920*1080@60Hz), TOUCH USB*1, USB2.0*3				
Output					
AV-Out x1; Earphone Out; SPDIF x1					
Button	Front Button				
	POWER, SOURCE, MENU, VOL+, VOL-, ES, ENTER, HOME				
Audio	Speakers				
	2x15w				
Power	Voltage				
	AC(100 ~ 240)V-50/60Hz				
	Power Range				
	Standby Power<1W				
Rated Power	<230W	<350W	<415W	<550W	
Touch	Touch Technology				
	Infrared Touch				
	Touch Points				
	20 touch points				
	Writing Mode				
	Finger or any opaque object				
	Accuracy				
<2mm					
Response Time					
5ms					
Cursor Speed					
180 dot/s					
Operating System					
Windows/Linux/Mac/Android					
Accessory	Accessories				
	Magnetic Pen, HDMI Cable, Touch Cable, Power Cable, Remoter, Wall Mounting Bracket				
Mechanical	Dimension (mm)				
	1469.1x915.6x93.2	1700x1047.8x96.9	1942x1183.6x93.9	2215.6X1338.5X102.7	
	Net/Gross Weight (kg)				
35/49	52/68	70/84	94/115		
Packing (mm)					
1646x1074x240	1873x1204x240	2120x1353x240	2396x1500x300		



✓ Stylish Design

15mm Bezel

✓ Customization

Camrea/Microphone/Zero Gap

Model	55"	65"	75"	86"	
LCD Panel	Backlight Type				
	D-LED Backlight				
	Resolution	3840*2160	3840*2160	3840*2160	3840*2160
	Brightness	350 cd/m ²	350 cd/m ²	350 cd/m ²	350 cd/m ²
	Contrast	1200:1	1200:1	1200:1	1200:1
	Aspect Ratio	16:9			
	View Angle	178°			
	Color Depth	10bit, 1.07 Billion colors			
	Response Time	8ms	8ms	8ms	8ms
Support Resolution	4K Ultra HD 3840x2160@60Hz				
Android	OS				
	Android 8.0				
	CPU				
	2 x ARM Cortex-A73@1.5GHz, 2 x ARM Cortex-A53@1.5GHz				
GPU/Ram/Storage					
ARM Mali-G51450MHz; 4G + 32G					
WiFi/Screen Sharing					
2.4 and 5.0G; Support					
I/O Interface	Input				
	HDMI2.0*2, HDMI1.4*1, VGA*1, VGA Audio-In*1; YPBPR*1, AV*1 USB3.0*1, USB2.0*1, RJ45*1, SD Card Reader*1, Touch USB Port*2 OPS Slot*1, RS232*1 USB2.0*3, Display Port*1				
Output					
AV-Out*1, Headphones Out, SPDIF*1, HDMI Output					
Button	Front Button				
Audio	POWER, SOURCE, MENU, VOL+, VOL-, CH+, CH-, PC, ES, ENTER, HOME				
Power	Speakers				
	2*15w				
	Voltage				
	AC(100 ~ 240)V-50/60Hz				
Power Range					
Standby Power<1W					
Rated Power	<150W	<230W	<350W	<415W	
Touch	Touch Technology				
	Infrared Touch				
	Touch Points				
	20 touch points				
	Writing Mode				
	Finger or any opaque object				
	Accuracy				
<2mm					
Response Time					
5ms					
Cursor Speed					
180 dot/s					
Operating System					
Windows/Linux/Mac/Android					
Accessory	Accessories				
Magnetic Pen, HDMI Cable, Touch Cable, Power Cable, Remoter, Wall Mounting Bracket					
Mechanical	Dimension (mm)				
	1263x780x86.4	1486x905x93.2	1707.4x1030.1x93.3	1953.6x1168.8x93.4	
	Net/Gross Weight (kg)				
35/46	41/54	54/71	70/88		
Packing (mm)					
1385x 920x194	1646x1074x240	1873x1204x240	2120x1353x240		



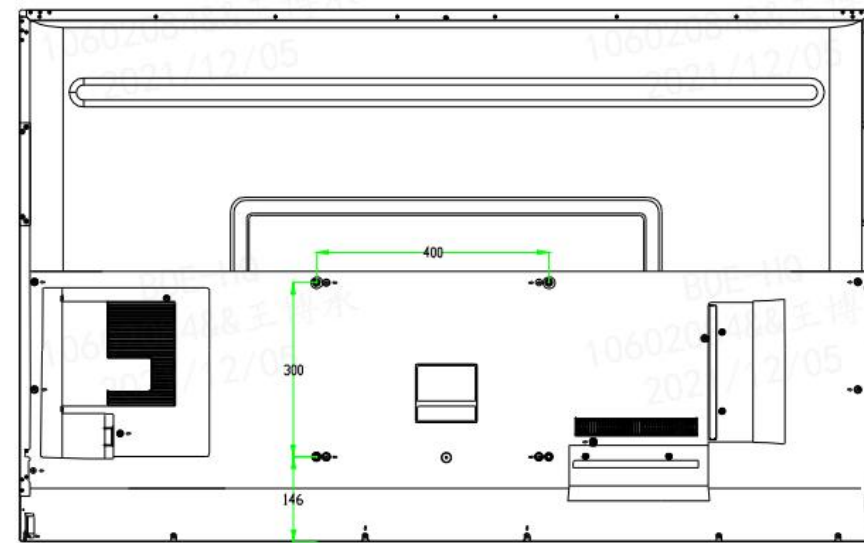
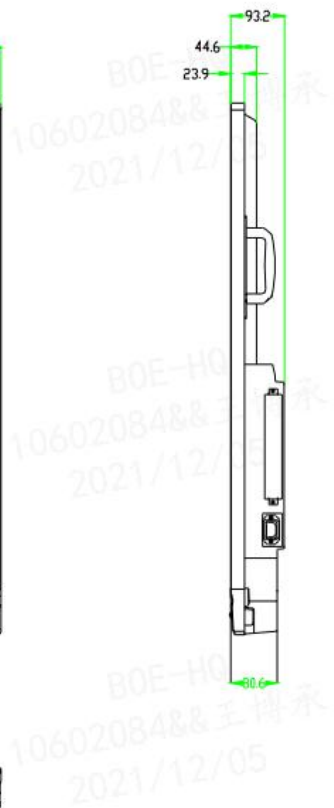
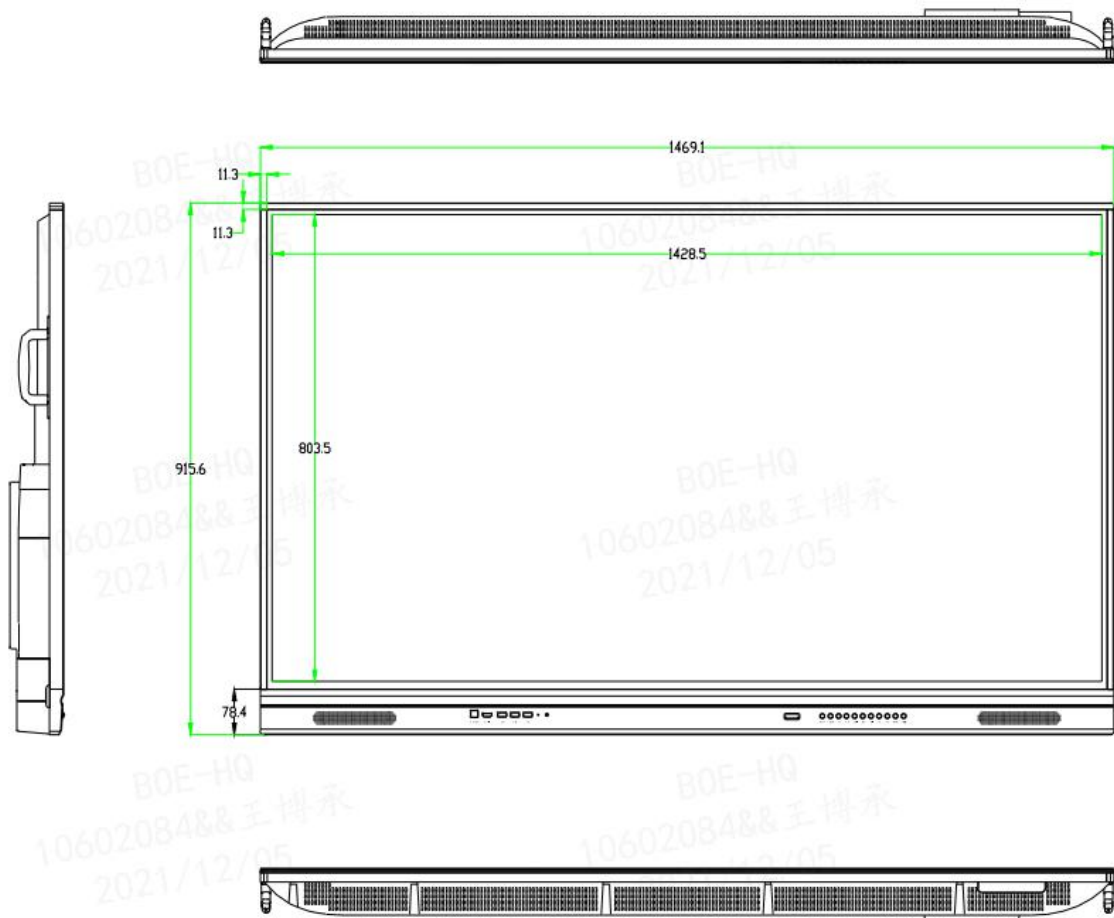
Model	55"	65"	75"	86"	
LCD Panel	Backlight Type	D-LED Backlight			
	Resolution	3840*2160	3840*2160	3840*2160	3840*2160
	Brightness	350 cd/m ²	350 cd/m ²	350 cd/m ²	350 cd/m ²
	Contrast	1200:1	1200:1	1200:1	1200:1
	Aspect Ratio	16:9			
	View Angle	178°			
	Color Depth	10bit, 1.07 Billion colors			
	Response Time	8ms	8ms	8ms	8ms
	Support Resolution	4K Ultra HD 3840x2160@60Hz			
Android	OS	Android 11.0			
	CPU	4 x ARM Cortex-A53@1.55GHz			
	GPU/Ram/Storage	ARM Mali-G52; 2G DDR3+ 16G EMMC			
	WiFi/Screen Sharing	2.4 and 5.0G; Support			
I/O Interface	Input	Rear: HDMI2.0*2, VGA x1, VGA Audio-In x1, YPBPR*1, AV IN*1, MIC*1, USB 2.0*2, TOUCH-USB*1, RS232*1, TF Card*1, LAN IN*1(10M/100M), Bluetooth5.0*1, OPS Slot*1 Front: HDMI*1(up to 1920*1080@60Hz), TOUCH USB*1, USB2.0*3			
	Output	AV-Out x1; Earphone Out; SPDIF x1			
Button	Front Button	POWER, SOURCE, MENU, VOL+, VOL-, ES, ENTER, HOME			
	Speakers	2*15w			
Audio	Voltage	AC(100 ~ 240)V-50/60Hz			
	Power Range	Standby Power<1W			
	Rated Power	<150W	<230W	<350W	<415W
Power	Touch Technology	Infrared Touch			
	Touch Points	20 touch points			
	Writing Mode	Finger or any opaque object			
	Accuracy	<2mm			
	Response Time	5ms			
	Cursor Speed	180 dot/s			
	Operating System	Windows/Linux/Mac/Android			
	Accessories	Magnetic Pen, HDMI Cable, Touch Cable, Power Cable, Remoter, Wall Mounting Bracket			
Accessory	Dimension (mm)	1263x780x86.4	1486x905x93.2	1707.4x1030.1x93.3	1953.6x1168.8x93.4
	Net/Gross Weight (kg)	35/46	41/54	54/71	70/88
	Packing (mm)	1385x 920x194	1646x1074x240	1873x1204x240	2120x1353x240

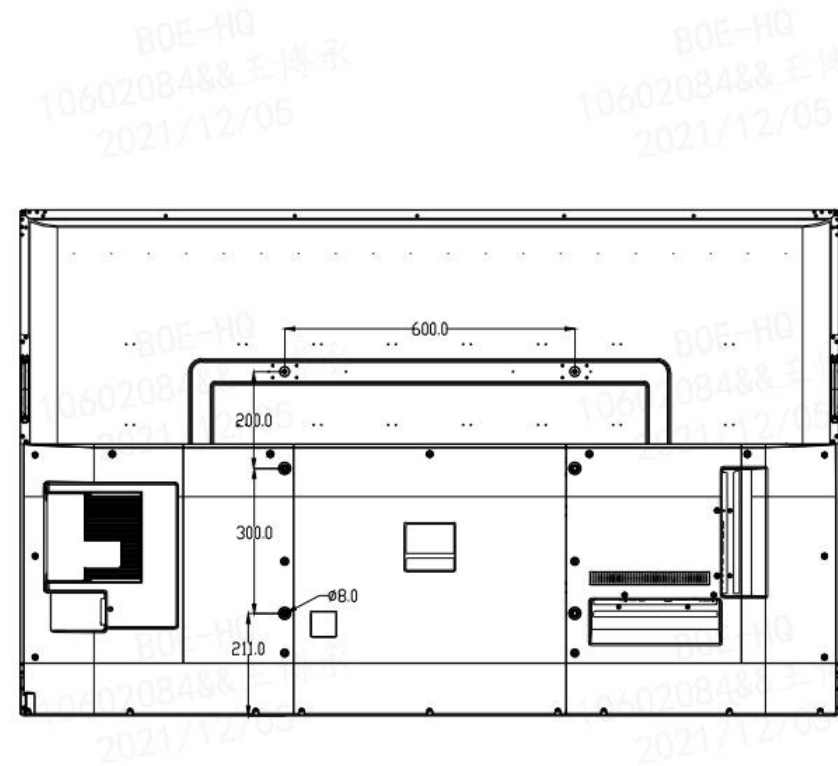
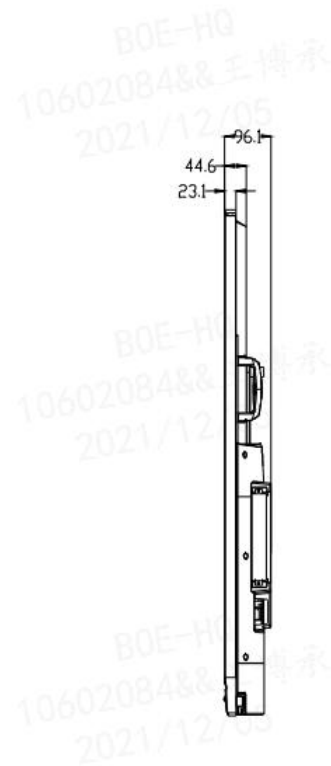
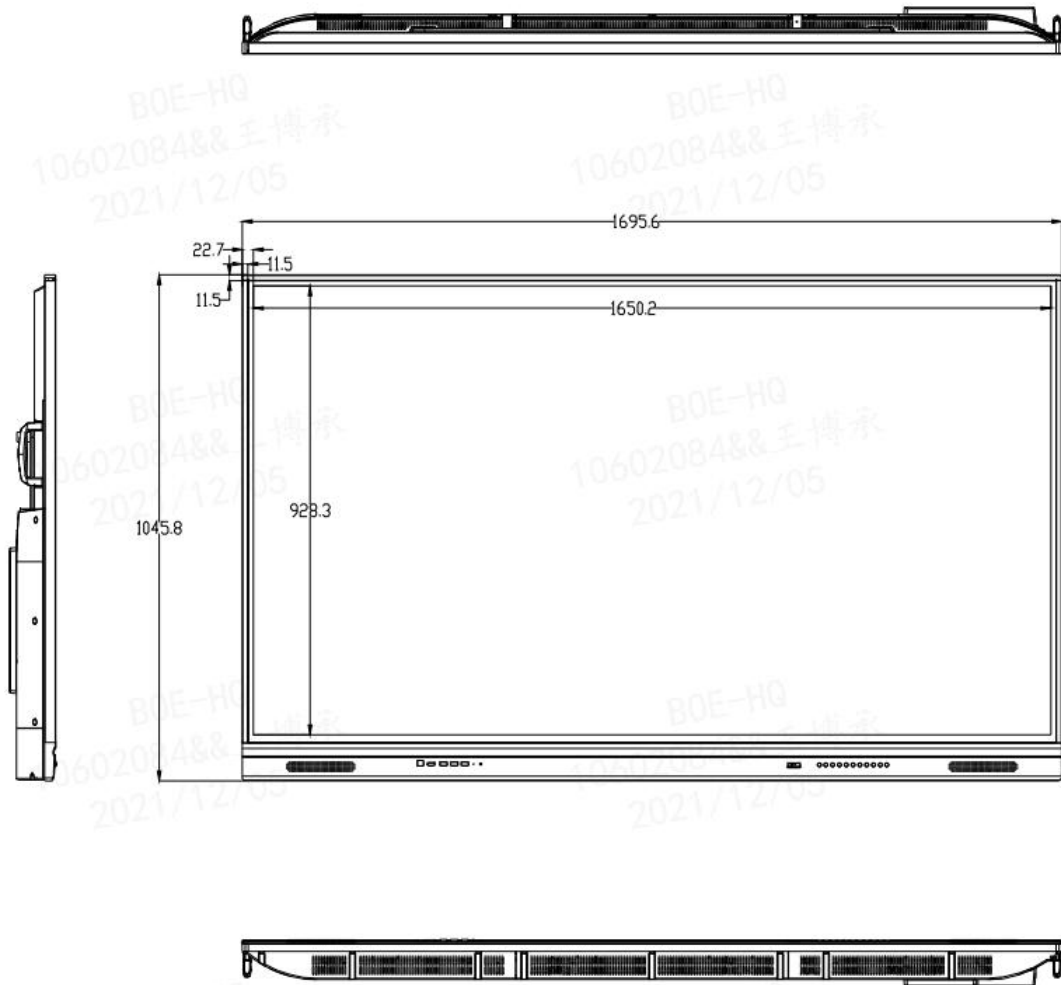


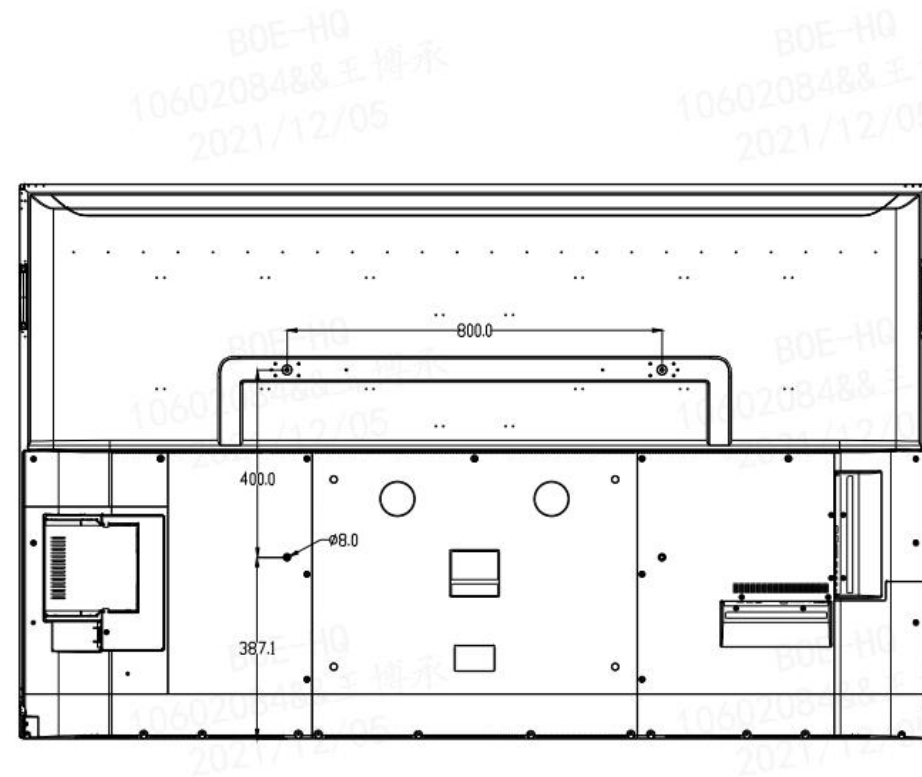
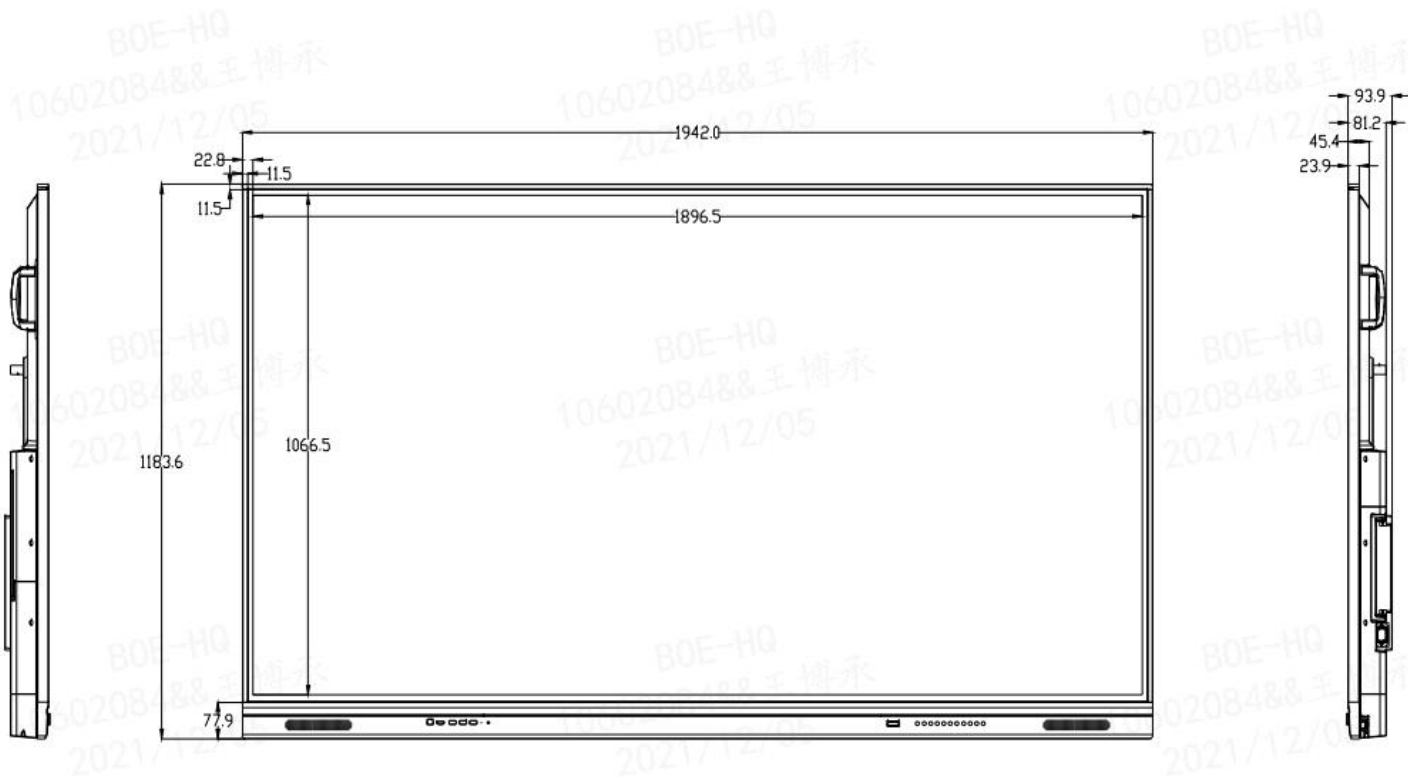
Model	55"	65"	75"	86"	
LCD Panel	Backlight Type				
	D-LED Backlight				
	Resolution	3840*2160	3840*2160	3840*2160	3840*2160
	Brightness	350 cd/m ²	350 cd/m ²	350 cd/m ²	350 cd/m ²
	Contrast	1200:1	1200:1	1200:1	1200:1
	Aspect Ratio	16:9			
	View Angle	178°			
	Color Depth	10bit, 1.07 Billion colors			
	Response Time	8ms	8ms	8ms	8ms
	Support Resolution	4K Ultra HD 3840x2160@60Hz			
Android	OS				
	Android 9.0				
	CPU				
	4 x ARM Cortex-A55@1.2GHz				
GPU/Ram/Storage					
Quad-core MaliG52; 3G + 32G					
WiFi/Screen Sharing					
2.4 and 5.0G; Support					
I/O Interface	Input				
	Rear: HDMI2.0*2, VGA x1, VGA Audio-In x1, USB2.0*2, TOUCH-USB*1, RS232*1, TF CARD*1, LAN IN*1(10M/100M), Bluetooth*1, OPS Slot*1 Front: HDMI*1(Max support 3840*2160@60Hz), TOUCH USB*1, USB2.0*3				
Button	Output				
	COXIAL*1, Earphone*1				
Audio	Front Button				
	POWER, SOURCE, MENU, VOL+, VOL-, CH+, CH-, PC, ES, ENTER, HOME				
Power	Speakers				
	2*15w				
	Voltage				
	AC(100 ~ 240)V-50/60Hz				
Power	Power Range				
	Standby Power<1W				
	Rated Power	<150W	<230W	<350W	<415W
Touch	Touch Technology				
	Infrared Touch				
	Touch Points				
	20 touch points				
	Writing Mode				
	Finger or any opaque object				
	Accuracy				
<2mm					
Response Time					
5ms					
Cursor Speed					
180 dot/s					
Operating System					
Windows/Linux/Mac/Android					
Accessory	Accessories				
Magnetic Pen, HDMI Cable, Touch Cable, Power Cable, Remoter, Wall Mounting Bracket					
Mechanical	Dimension (mm)				
	1263x780x86.4	1486x905x93.2	1707.4x1030.1x93.3	1953.6x1168.8x93.4	
	Net/Gross Weight (kg)				
35/46	41/54	54/71	70/88		
Packing (mm)					
1385x 920x194	1646x1074x240	1873x1204x240	2120x1353x240		

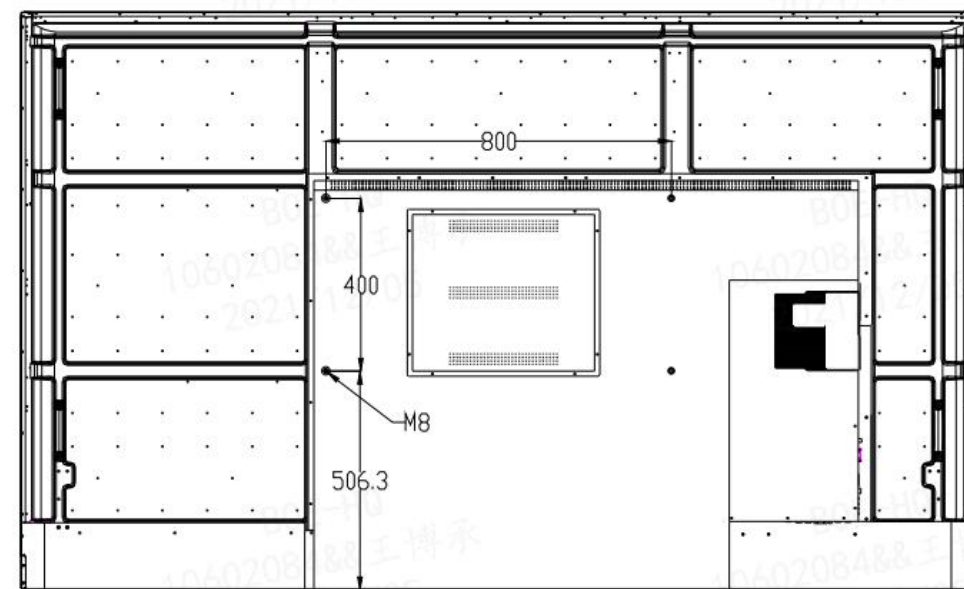
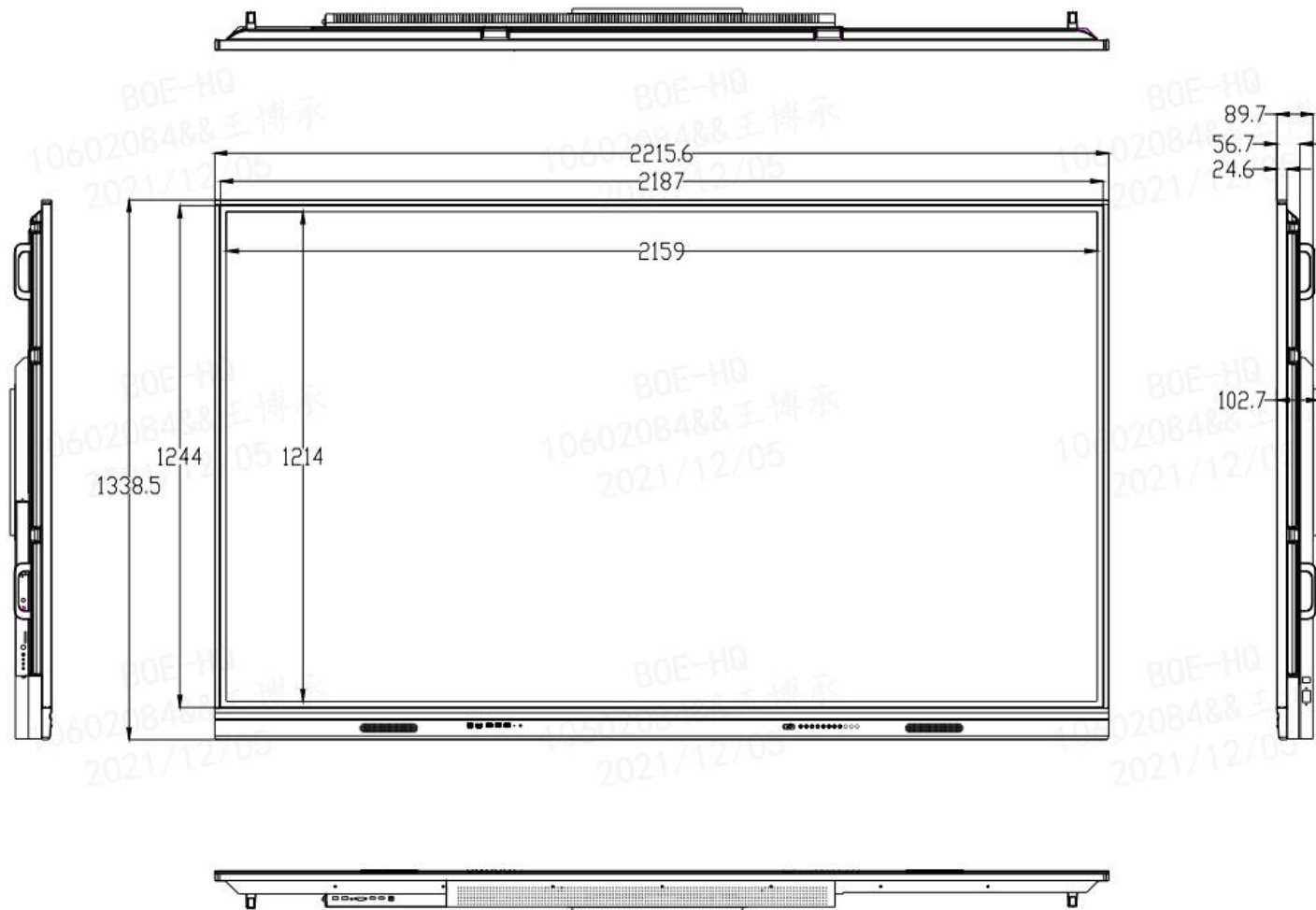
Product Dimension - S1.0 65"

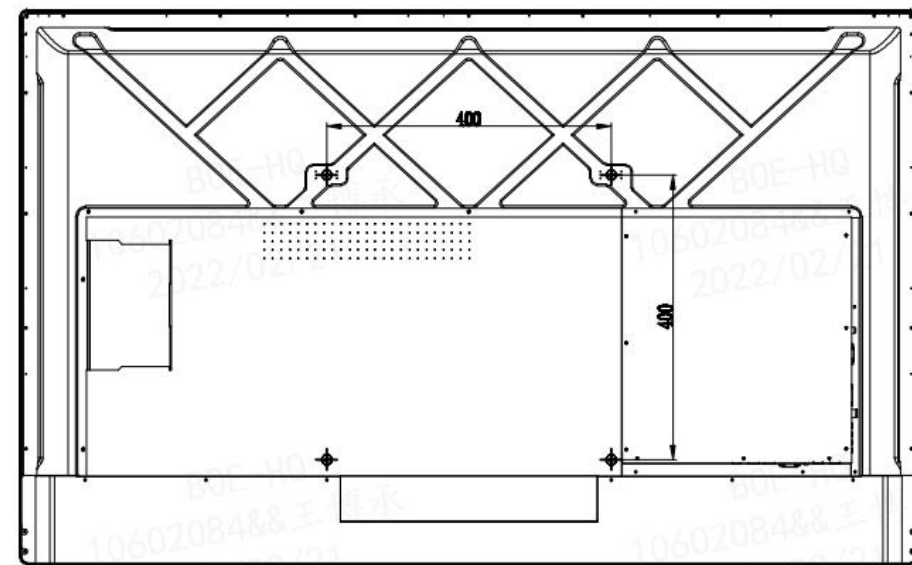
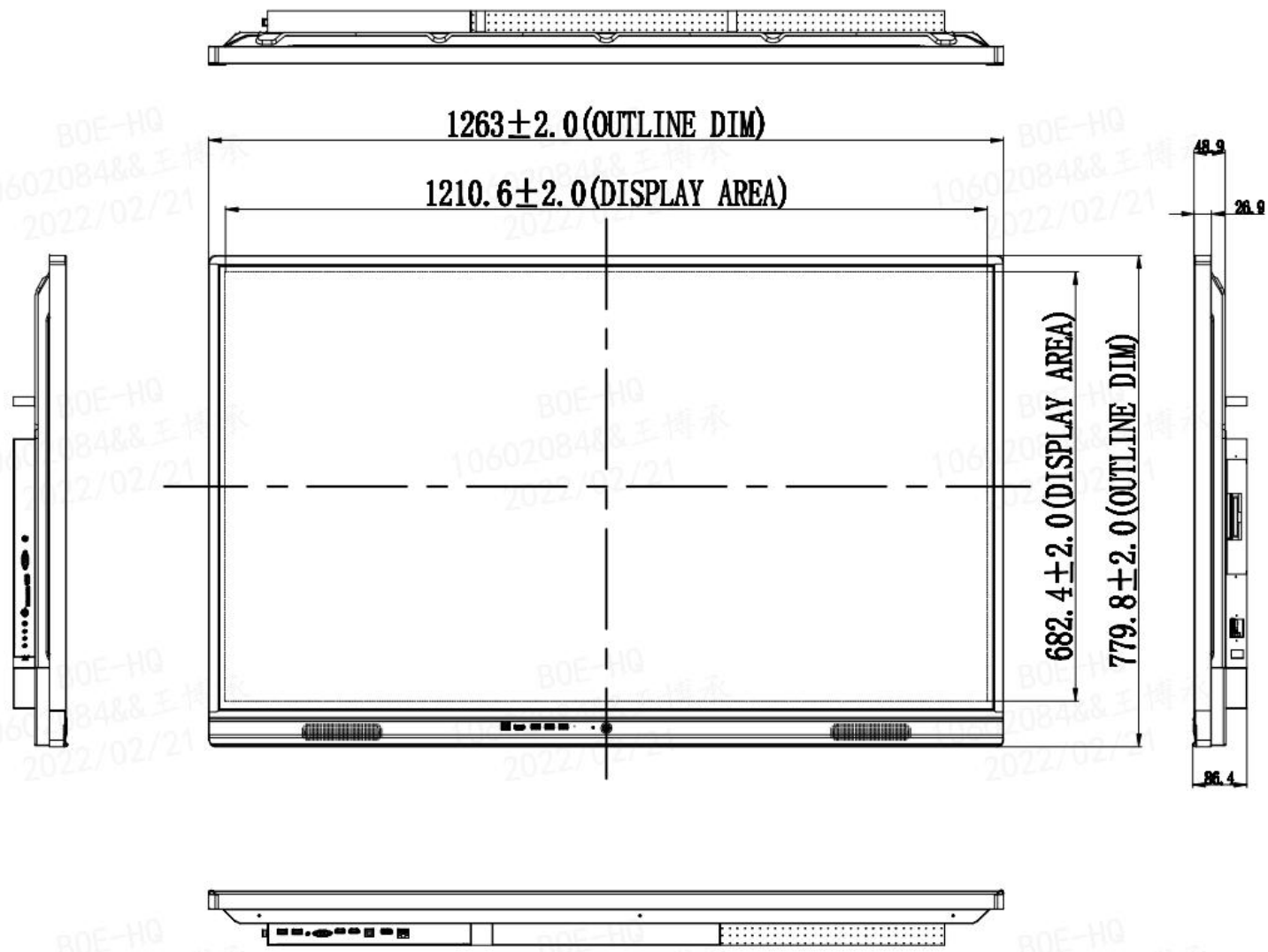
BOE

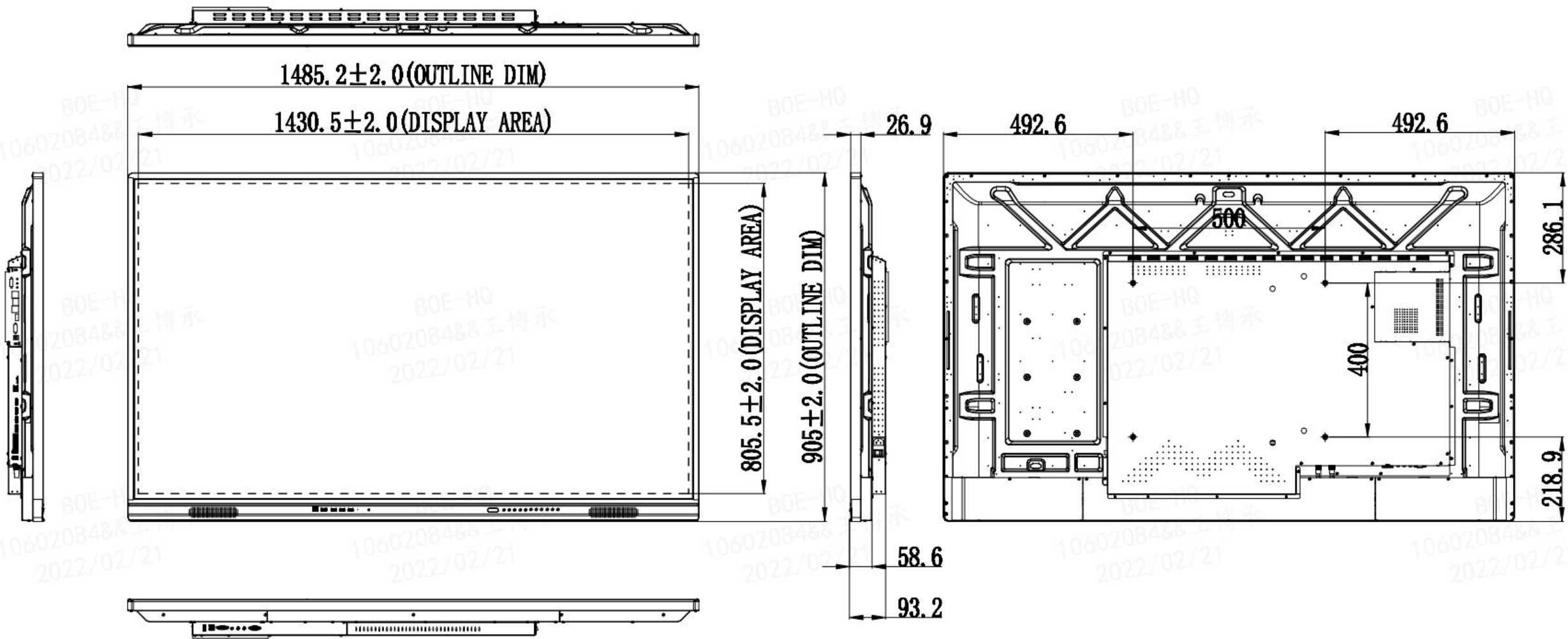


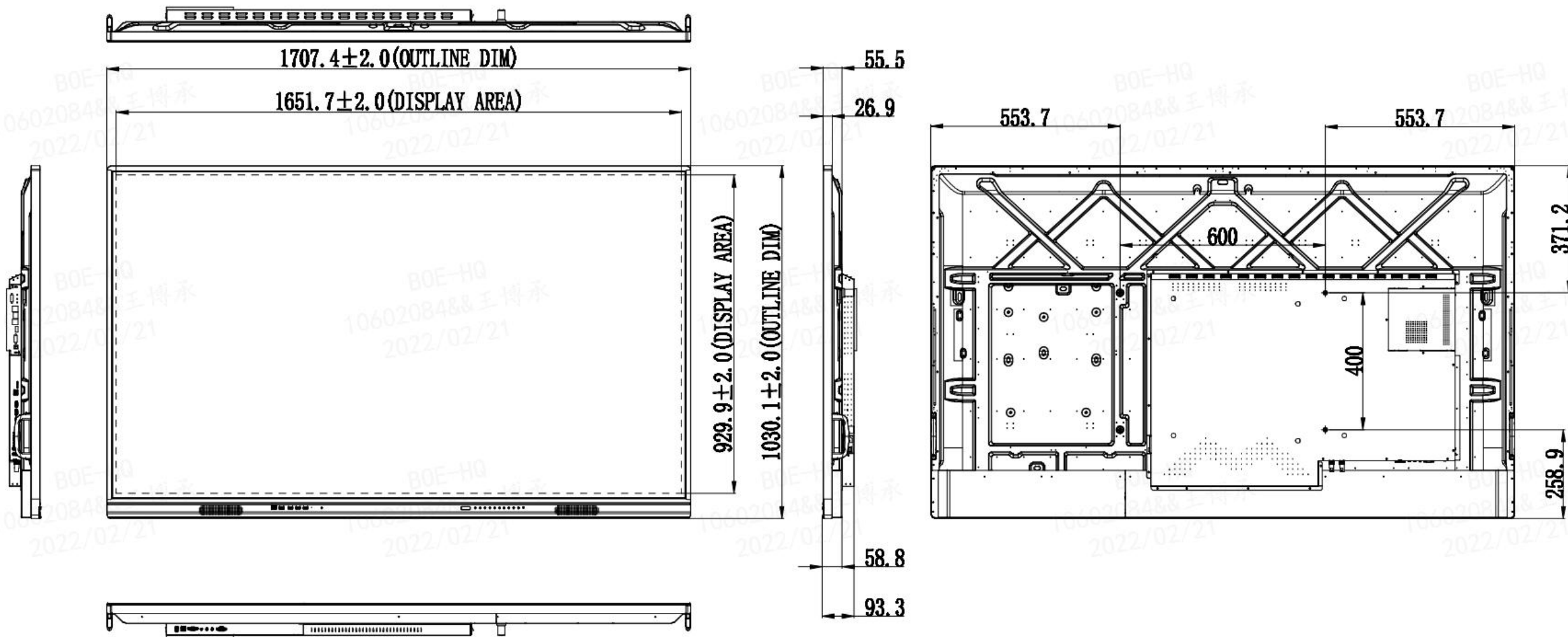


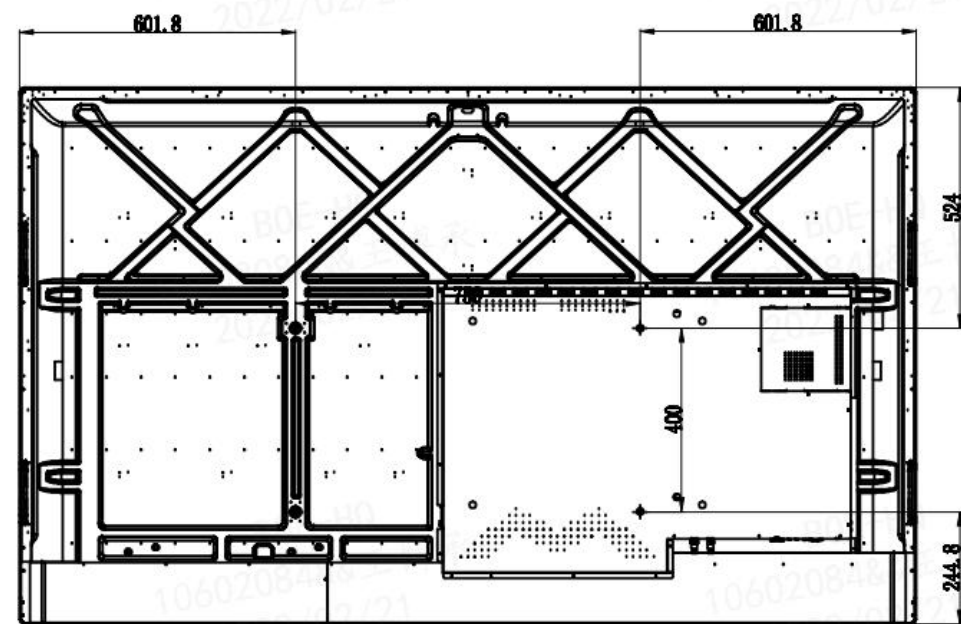
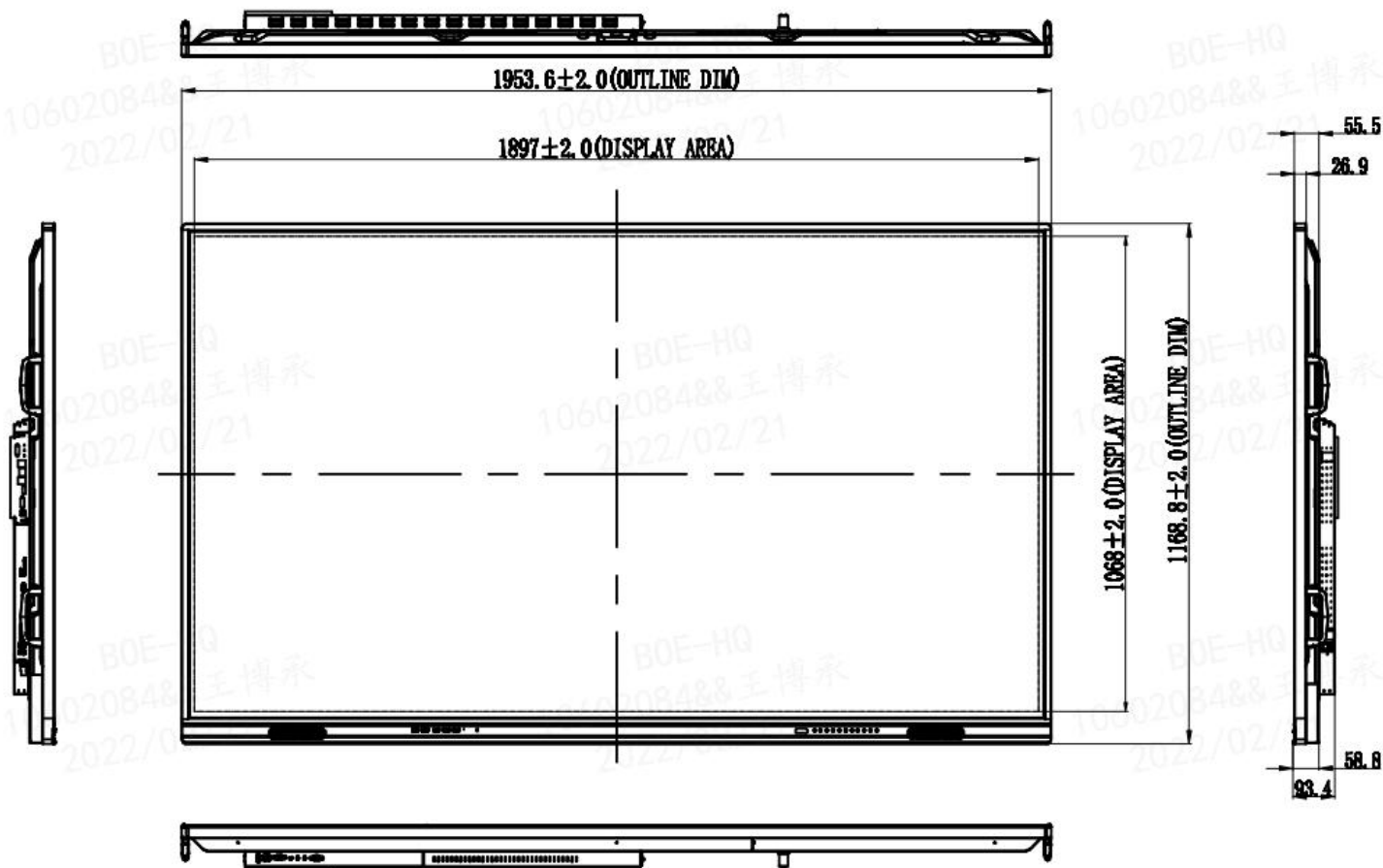


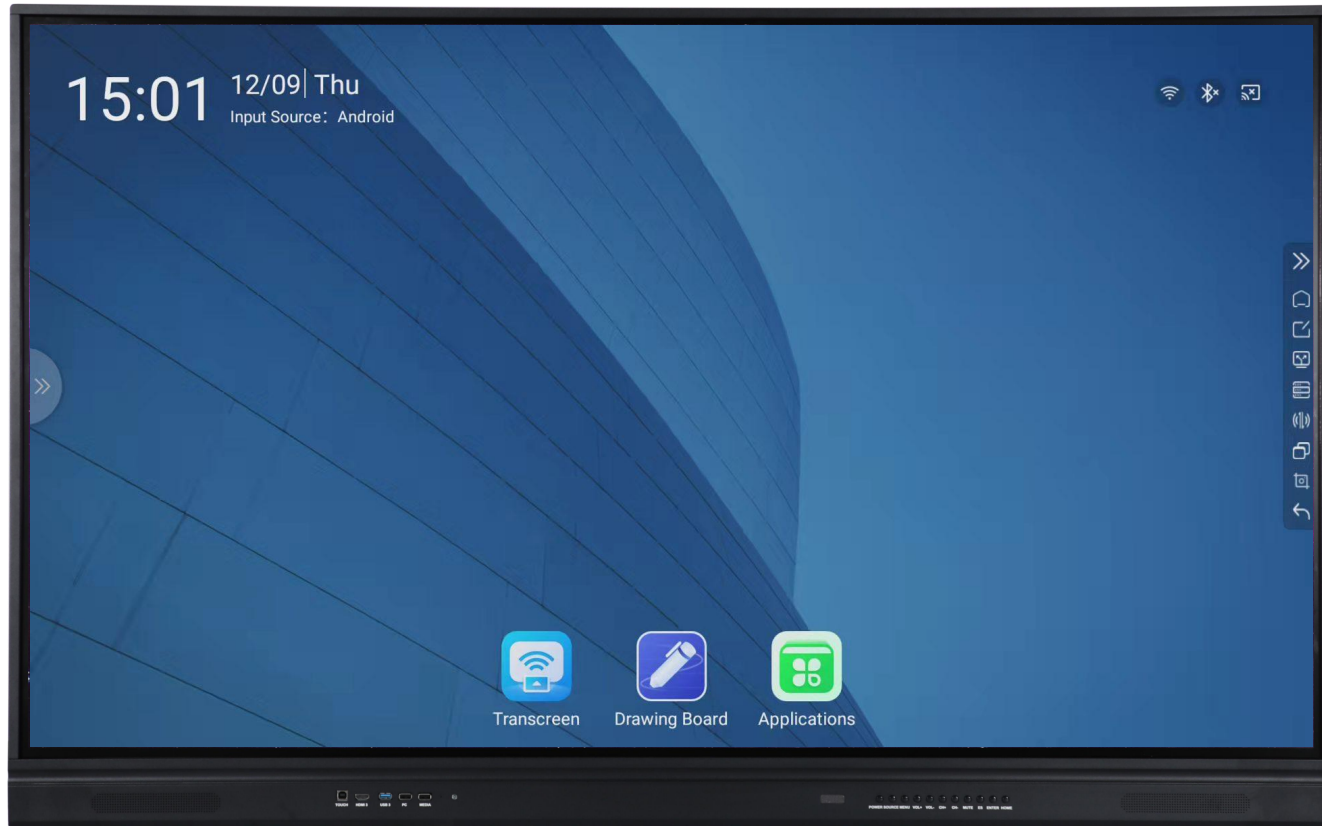






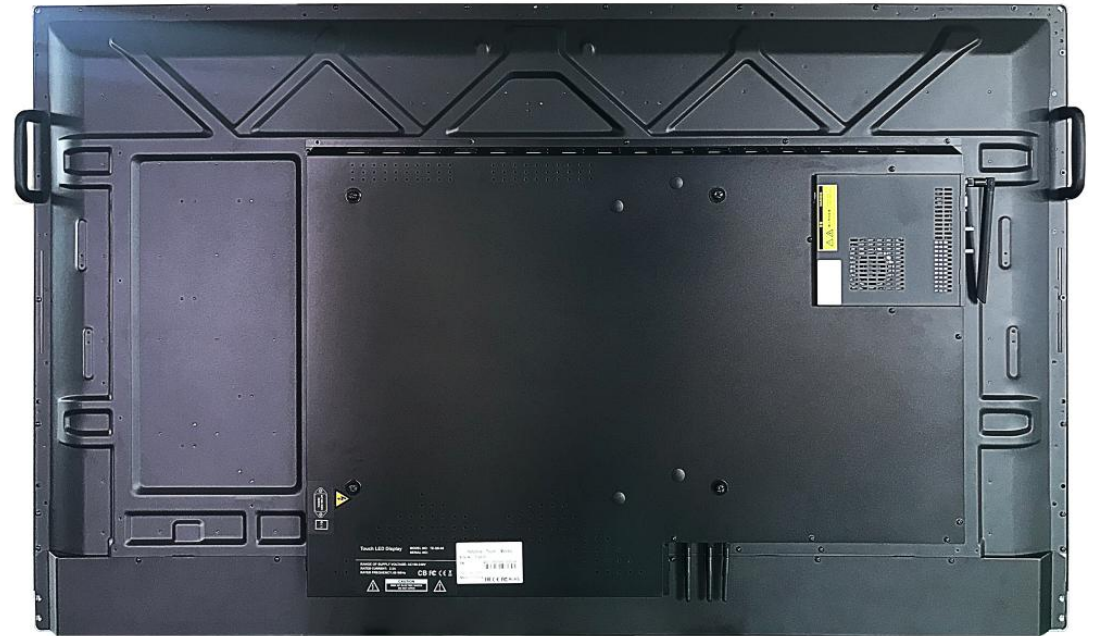












Confidential

BOE

THANKS